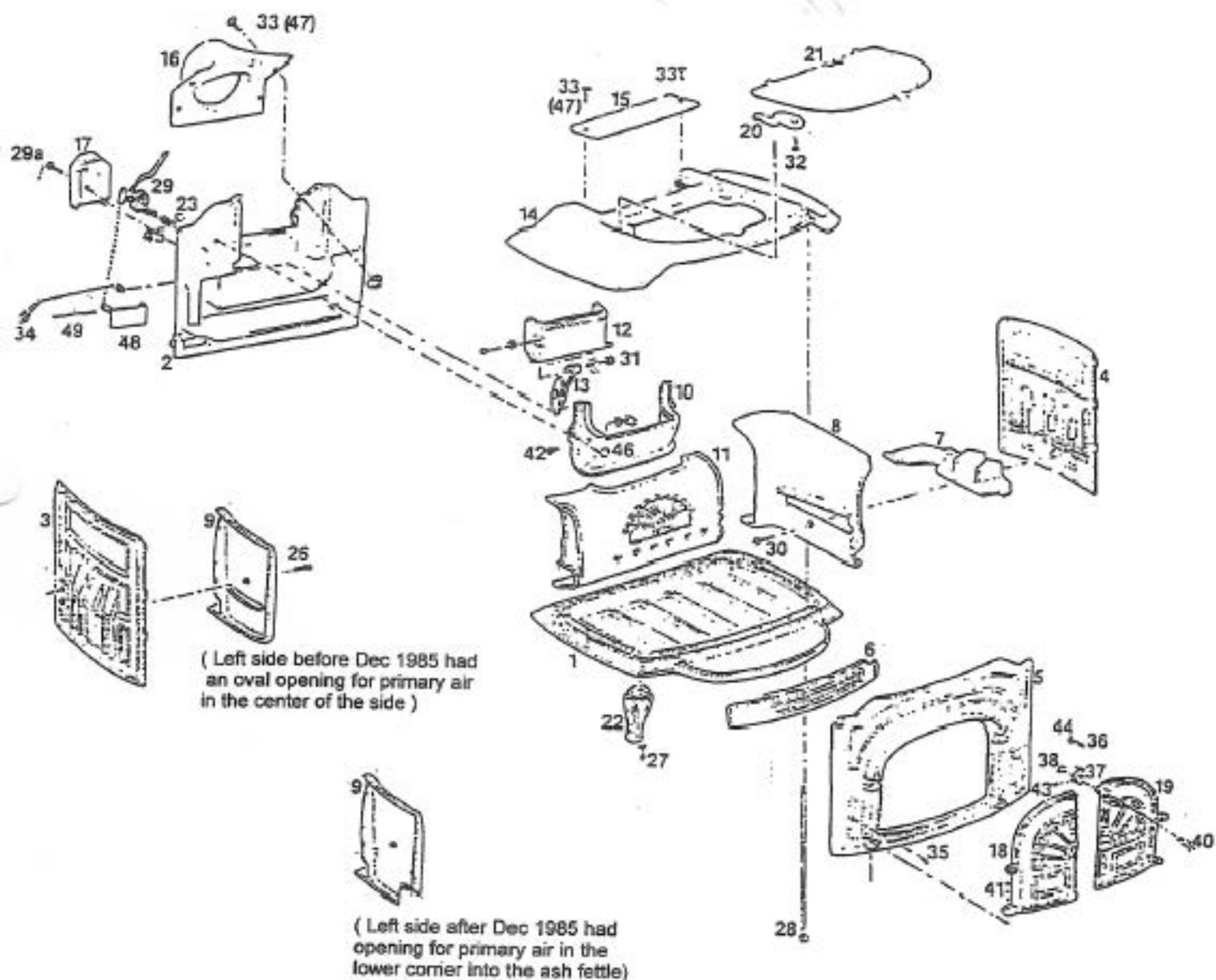


RESOLUTE III MODELS # 0043 & 0042



Resolute

MODEL #'S
0043 RESOLUTE III WITHOUT GLASS
0042 RESOLUTE III WITH GLASS PANELS
FEATURES:

MANUFACTURED 6/29/83 THROUGH 6/14/88
 HAD TWO FRONT DOORS, TWO PIECE FIREBACK,
 & ADJUSTABLE DAMPER LINKAGE
 COAL STOVE HAD THREE ROCKER GRATES
 IN 1985 DOUBLE GLASS WITH FRAMES WAS ADDED
 FOR CLEAN GLASS, SOME MODELS USED STAINLESS
 STEEL FRAMES & SOME USED CLIPS TO HOLD THE GLASS

DIAGRAM #	ITEM #	PART DESCRIPTION
1	NA-1301522	BOTTOM
2	NA-1301683	BACK
3	NA-1301546	LEFT END
4	NA-1301554	RIGHT END
5	NA-0005865	RES-III FRONT, DOORS & GLASS
	NA-1301492	FRONT ONLY
6	NA-5002808	ASH FETTLER
SUBSTITUTE:	1301773, 1301779, (2) 1201393, (2) 1202472, (2) 1201782	
7	NA-1301589	BAFFLE
8	1301384	RIGHT INSERT
9	1301784	LEFT INSERT AFTER DEC. 1985, NO OVAL CUTOUT IN MIDDLE
	1301376	LEFT INSERT PRE DEC. 1985, OVAL CUTOUT IN MIDDLE OF SIDE
10	0005863	UPPER FB & DAMPER ASSEMBLED
	1301349	UPPER FIREBACK ONLY
11	1301356	LOWER FIREBACK
12	1301600	DAMPER
	1201481	DAMPER SCREWS
13	0005866	ADJUSTABLE CAST DAMPER LINKAGE
14	NA-1301663	TOP
15	NA-1301670	FLUE COLLAR EXTENSION
16	NA-1301668	FLUE COLLAR (ROUND)
17	NA-1301449	THERMOSTAT COVER
18	NA-1301606	LEFT DOOR
19	NA-1301615	RIGHT DOOR

20	0004444	QUADRANT
21	NA-1301674	GRIDDLE ONLY
22	NA-1301503	LEG (1 ONLY)
	NA-5002033	LEGS (SET OF 4)
23	1203118	FIREBACK NUT (1/4 - 20 ACORN)
24	1300671	SECONDARY AIR CONTROL COVER
25	1201007	1/2 - 24 x 3/4 TRS HD PH
26	1200811	1/4 - 20 X 1 1/4 FL HD PH
27	0005807	LEG BOLTS (SET OF 4)
28	5007499	TIE ROD SET OF 4
	1601640	RODS ONLY
	1203210	1/4 - 20 HEX HEAD NUT
29	0004333	THERMOSTAT
	1201960	THERM BALL CHAIN (PER FT)
29	1201010	THERMOSTAT COVER SCREW (10-24 X 1 1/2 TRS PH)
30	1200848	1/4 - 20 X 2 PH FL HD
31	1201193	12 - 24 X 2 SL RD HD
	1202423	FL WASHER
	1203294	12-24 HEX NUT
32	1201338	1/4 - 20 X 1/2 HEX HD CAP
	1200493	FLUE COLLAR & EXT SCREW (1/4 - 20 X 5/8 SOCKET FL HD)
33	1200521	1/4 - 20 3/4 SOC FL HD
	1201860	DAMPER NUT PLATE
34	1600820	DAMPER HANDLE
35	1200055	SHAKER HOLE SCREW (THREADED)
36	1200436	STRIKER BOLT (1/4 - 20 X 1 SS SOC)
37	0004384	PAWL ASSEMBLY
38	1203290	LARGE PAWL NUT (3/8 - 16 JAM NUT)
39	1201364	HANDLE PIN (LONG 3 3/4)
	1201294	HANDLE PIN (SHORT 3 3/8)
40	0004370	FRONT HANDLE STUB
41	1600546	DOOR PIN
42	1202461	WASHER
	1201374	1/4 - 20 X 3/4 HEX HD CS
43	1200417	SET SCREW (1/4 - 20 X 1/4 SOC)
44	1203210	STRIKER BOLT NUT (1/4 - 20 HEX NUT)
45	1201046	TENSION SPRING
46	1201326	1/4 - 20 X 1 HEX HD CAP
47	1203105	FLUE COLLAR NUT (1/4 - 20 NUT PLATE)
48	5005423	THERMOSTAT FLAP WITH EYELET
49	1601567	FLAP PIN ONLY

ITEMS NOT SHOWN

1303051	ANDIRON (1)
NA	LEFT OR RIGHT DOOR GASK INSERT
1200998	HEAT SHIELD HOLE SCREW (10 - 24 X 1/2 PH TRUSS)
0004342	CERAMIC HANDLE & SCREW
1600620	CERAMIC SHAFT ONLY
1600650	NUJIB FOR CERAMIC HANDLE
1600600	HANDLE HOLDER
1202420	FELT DOOR PIN WASHER (USED ON ENAMEL STOVES)
1201832	HANDLE ROLL PIN
1401152	GLASS (1 ONLY)
1601393	GLASS CLIP
1200983	GLASS CLIP SCREW (PH IPAN HD)
5002801	GLASS GASKET WITH WIRE (USED BETWEEN THE GLASS ON DOUBLE GLASS MODELS)

ENAMEL PARTS

***PREFIX FOR ENAMEL PARTS**

131 RED	136 GRAY
132 SAND	137 CHOCOLATE BROWN
133 BLUE	138 ANTIQUE GREEN
134 MIDNIGHT	139 ANTIQUE BROWN

* 1683	BACK (N/A IN MIDNIGHT, CHOCOLATE BROWN OR ANTIQUE BROWN)
* 1522	BOTTOM (N/A ANTIQUE BROWN)
* 1668	FLUE COLLAR (N/A IN MIDNIGHT OR ANTIQUE BROWN)
* 1670	FLUE COLLAR EXT (N/A IN MIDNIGHT OR ANTIQUE BROWN)
* 1492	FRONT (N/A IN MIDNIGHT, CHOCOLATE BROWN OR ANTIQUE BROWN)
* 1606	LEFT DOOR (N/A IN MIDNIGHT, CHOCOLATE BROWN OR ANTIQUE BROWN)
* 1546	LEFT END (N/A IN MIDNIGHT, CHOCOLATE BROWN OR ANTIQUE BROWN)
* 1503	LEG (1) (N/A IN MIDNIGHT OR ANTIQUE BROWN)
* 1615	RIGHT DOOR (N/A IN MIDNIGHT, CHOCOLATE BROWN OR ANTIQUE BROWN)
* 1554	RIGHT END (N/A IN MIDNIGHT, CHOCOLATE BROWN OR ANTIQUE BROWN)
* 1449	THERMOSTAT COVER (N/A IN MIDNIGHT OR ANTIQUE BROWN)
* 1663	TOP (N/A IN MIDNIGHT, CHOCOLATE BROWN OR ANTIQUE BROWN)

FRONTS WITH DOORS

NA	FRONT WITH DOORS RED
NA	FRONT WITH DOORS SAND
NA	FRONT WITH DOORS BLUE
NA	FRONT WITH DOORS MIDNIGHT
5006810	FRONT WITH DOORS BROWN