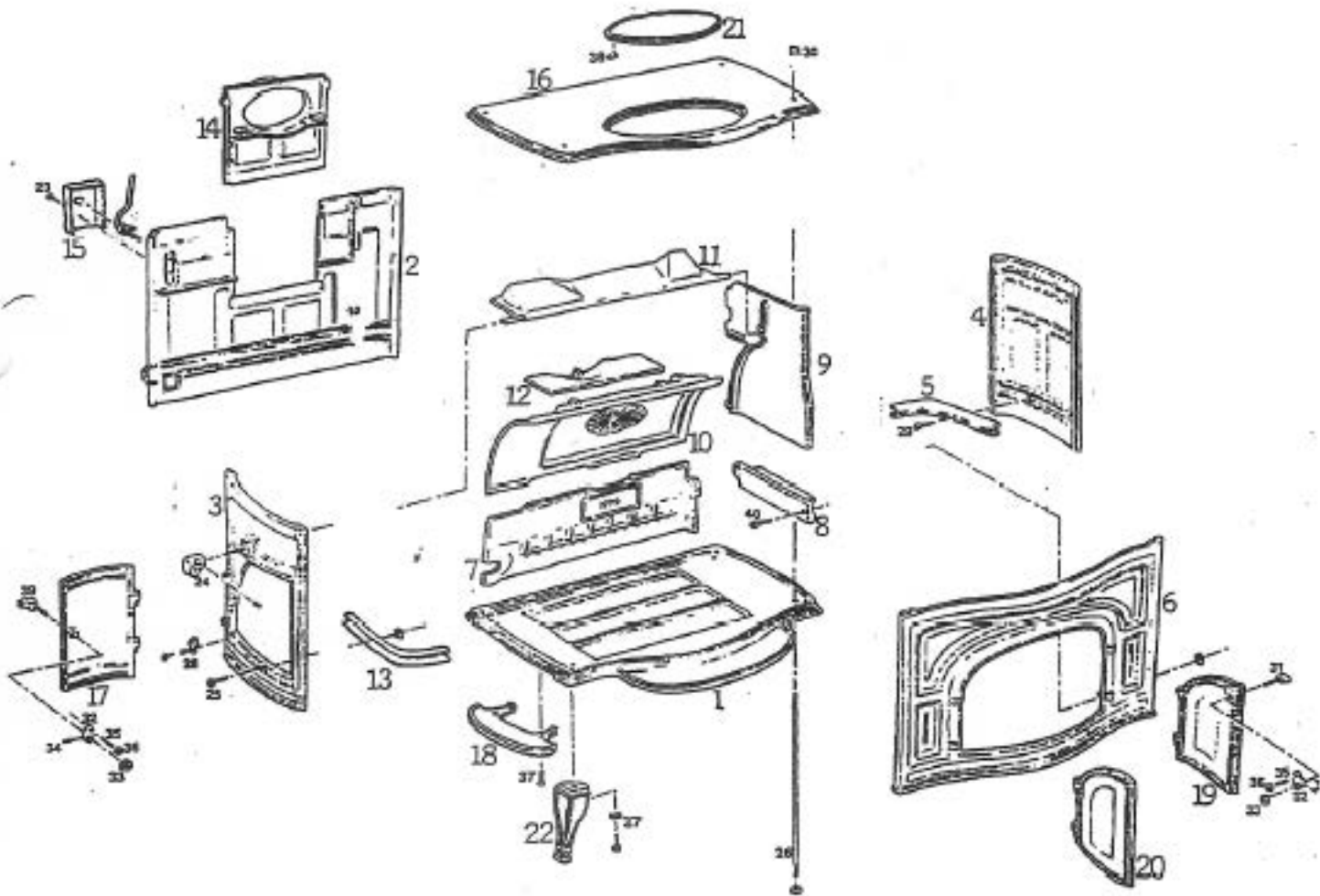


DEFIANT II



Defiant

MODEL #'S

0019 & 0028 DEFIANT II

FEATURES:

MANUFACTURED 6/80 THROUGH 12/1/84.
HAS AN OVAL GRIDDLE WITH NO TOP LOADING.
HAS WRAP AROUND FRONT

DIAGRAM #	ITEM #	PART DESCRIPTION
1	1303148	BOTTOM
2	1303070	BACK
3	5000202	LEFT END WITH DOOR
4	NA-1303116	RIGHT END
5	1303162	AIRTUBE
6	NA-5000203	FRONT AND DOORS ASSEMBLED
	NA-1303062	FRONT ONLY
7	1303092	LOWER FIREBACK
8	1303100	LOWER BAFFLE
9	1303108	UPPER BAFFLE
10	1303078	UPPER FIREBACK
11	5000323	DAMPER WITH PIN WELDED
12	1303184	SMOKE SHELF
13	1303162	AIRTUBE
14	1303192	REAR EXIT INSERT
	NA-1303200	TOP EXIT INSERT
15	NA-1303084	THERMOSTAT COVER
16	NA-1303140	REAR EXIT TOP
	NA-1303132	TOP EXIT TOP
17	1303000	LOAD DOOR
18	1303170	SIDE ASH LIP
19	1303008	RIGHT DOOR
20	1303016	LEFT DOOR
21	1300797	GRIDDLE
22	1303225	LEG (1 ONLY)
	5000360	LEGS (SET OF 4)
23	1300671	SECONDARY AIR CONTROL COVER
24	0004444	QUADRANT
25	1201010	10 - 24 X 1 1/2 TRS HD PH
26	1201338	QUAD SCREW
27	0004327	THERMOSTAT COIL ASSEMBLY
	1201960	THERM BALL CHAIN (PER FT)

Defiant

MODEL #'S

0019 & 0028 DEFIANT II

FEATURES:

MANUFACTURED 6/80 THROUGH 12/1/84.
HAS AN OVAL GRIDDLE WITH NO TOP LOADING.
HAS WRAP AROUND FRONT

DIAGRAM #	ITEM #	PART DESCRIPTION
1	1303148	BOTTOM
2	1303070	BACK
3	5000202	LEFT END WITH DOOR
4	NA-1303116	RIGHT END
5	1303162	AIRTUBE
6	NA-5000203	FRONT AND DOORS ASSEMBLED
	NA-1303062	FRONT ONLY
7	1303092	LOWER FIREBACK
8	1303100	LOWER BAFFLE
9	1303108	UPPER BAFFLE
10	1303078	UPPER FIREBACK
11	5000323	DAMPER WITH PIN WELDED
12	1303184	SMOKE SHELF
13	1303162	AIRTUBE
14	1303192	REAR EXIT INSERT
	NA-1303200	TOP EXIT INSERT
15	NA-1303084	THERMOSTAT COVER
16	NA-1303140	REAR EXIT TOP
	NA-1303132	TOP EXIT TOP
17	1303000	LOAD DOOR
18	1303170	SIDE ASH LIP
19	1303008	RIGHT DOOR
20	1303016	LEFT DOOR
21	1300797	GRIDDLE
22	1303225	LEG (1 ONLY)
	5000360	LEGS (SET OF 4)
23	1300671	SECONDARY AIR CONTROL COVER
24	0004444	QUADRANT
25	1201010	10 - 24 X 1 1/2 TRS HD PH
26	1201338	QUAD SCREW
27	0004327	THERMOSTAT COIL ASSEMBLY
	1201960	THERM BALL CHAIN (PER FT)