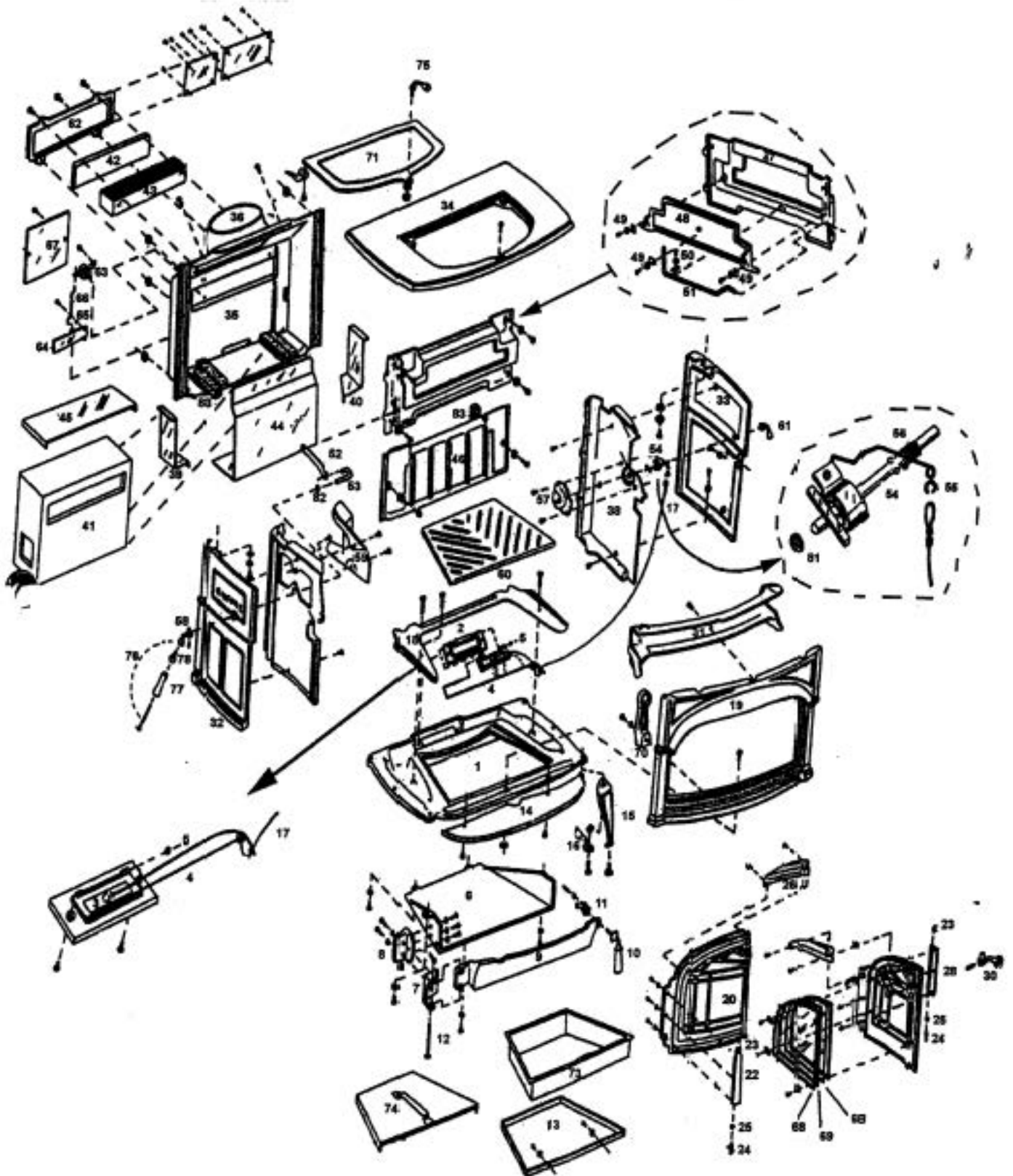


DEFIANT ENCORE MODEL'S 0028 & 2140



# Defiant Encore

**MODEL #                    0028 DEFIANT ENCORE**  
**2140 DEFIANT ENCORE**

**FEATURES:**                    *MODEL #0028 MANUFACTURED 7/11/86 THROUGH 4/25/90*  
    *IT HAS A GEISSER TESTING LAB. LABEL*  
    *MODEL # 2140 MANUFACTURED 5/17/90 THROUGH 11/5/91*  
    *IT HAS A WARNOCK HERSEY TESTING LAB. LABEL*  
    *CATALYST ACCESS IN THE BACK OF THE STOVE*  
    *DOUBLE PANE OF GLASS IN EACH DOOR*

DIAGRAM #	ITEM #	PART DESCRIPTION
1	1307410	BOTTOM
2	1307411	PRIMARY AIR- FRAME ONLY
3	1307412	PRIMARY AIR- VALVE ONLY
4	1601493	PRIMARY AIR-ROD ONLY
5	1204020	PRIMARY AIR ROD CLIP
6	1307420	ASH DROP
7	1307435	ASH DOOR SPLIT HINGE
8	1307436	ASH DROP SPLIT HINGE
9	1307443	ASH DOOR
10	<del>NA-0004359</del>	<del>ASH DOOR HANDLE COMPLETE</del>
<b>SUBSTITUTE</b>	1600622 OR 1600663	
	1600622	ASH DOOR HANDLE- SHAFT ONLY
	1600663	ASH DOOR WOOD HANDLE ONLY
	1201310	ASH DOOR WOOD HANDLE- SCREW ONLY
11	0004384	PAWL ASSEMBLY COMPLETE
12	1203004	ASH DOOR HINGE PIN
	1203031	COTTER PIN
13	1601039	ASH PAN BRACKET
14	1307406	ASHLIP
15	1307427	LEG
16	1600600	DOOR HANDLE HOLDER
17	5005471	THERMOSTAT CABLE
18	1307418	PRIMARY AIR TUBE COVER PLATE
19	<del>NA-1307407</del>	<del>FRONT ONLY</del>
<b>SUBSTITUTE</b>	1308612	
20	<del>NA-1307409</del>	<del>LEFT DOOR ONLY</del>
<b>SUBSTITUTE</b>	1308613	SINGLE GLASS DOOR

22	1307402	LEFT DOOR HINGE
23	1600416	UPPER DOOR PIN
24	1600417	LOWER DOOR PIN
25	1201985	JUMP RING
26	1307403	LEFT DOOR MANIFOLD
27	<del>NA-1307401</del>	<del>RIGHT DOOR ONLY</del>
<b>SUBSTITUTE</b>	1308614	SINGLE GLASS DOOR
28	1307402	RIGHT DOOR HINGE
29	1307404	RIGHT DOOR MANIFOLD
30	5004225	FRONT HANDLE STUB COMPLETE
31	1307424	FRONT AIR MANIFOLD
32	1307408	LEFT END
33	1307409	RIGHT END
34	1307405	TOP
35	1307439	BACK
36	1304280	FLUE COLLAR
37	1307413	LEFT AIR/ WEAR PLATE
38	1307414	RIGHT AIR/ WEAR PLATE
39	1608629	LEFT DEFLECTOR
40	1608630	RIGHT DEFLECTOR
41	5004600	REFRACTORY ASSEMBLY (INCLUDES ACCESS PANEL)
42	1602503	REFRACTORY ACCESS PANEL ONLY
43	1602505	CATALYST BLOCK
44	1602506	HEAT EXCHANGER
45	1602507	REFRACTORY COVER (STEEL PIECE ON TOP)
46	1307416	LOWER FIREBACK
47	1307417	UPPER FIREBACK ONLY
47	5000335	UPPER FIREBACK AND DAMPER ASSEMBLY
48	1307421	DAMPER ONLY
49	1601488	DAMPER TAB
50	1601036	TORSION BAR CLIP
51	1601035	TORSION BAR
52	1601034	DAMPER ACTUATOR LINKAGE
53	1601033	DAMPER ACTUATOR ROD
54	5005470	THERMOSTAT COIL & ROD ASSEMBLY (CONTAINS CABLE W/ OVAL COPPER SLEEVES)
54	1201864	THERMOSTAT EYELET ONLY
55	1201985	JUMP RING
56	1201846	FRICTION SPRING
57	1307415	THERM ACCESS CUP
58	0004356	DAMPER HANDLE STUB WITH SET SCREW
	1201310	DAMPER HANDLE- WOOD SCREW ONLY