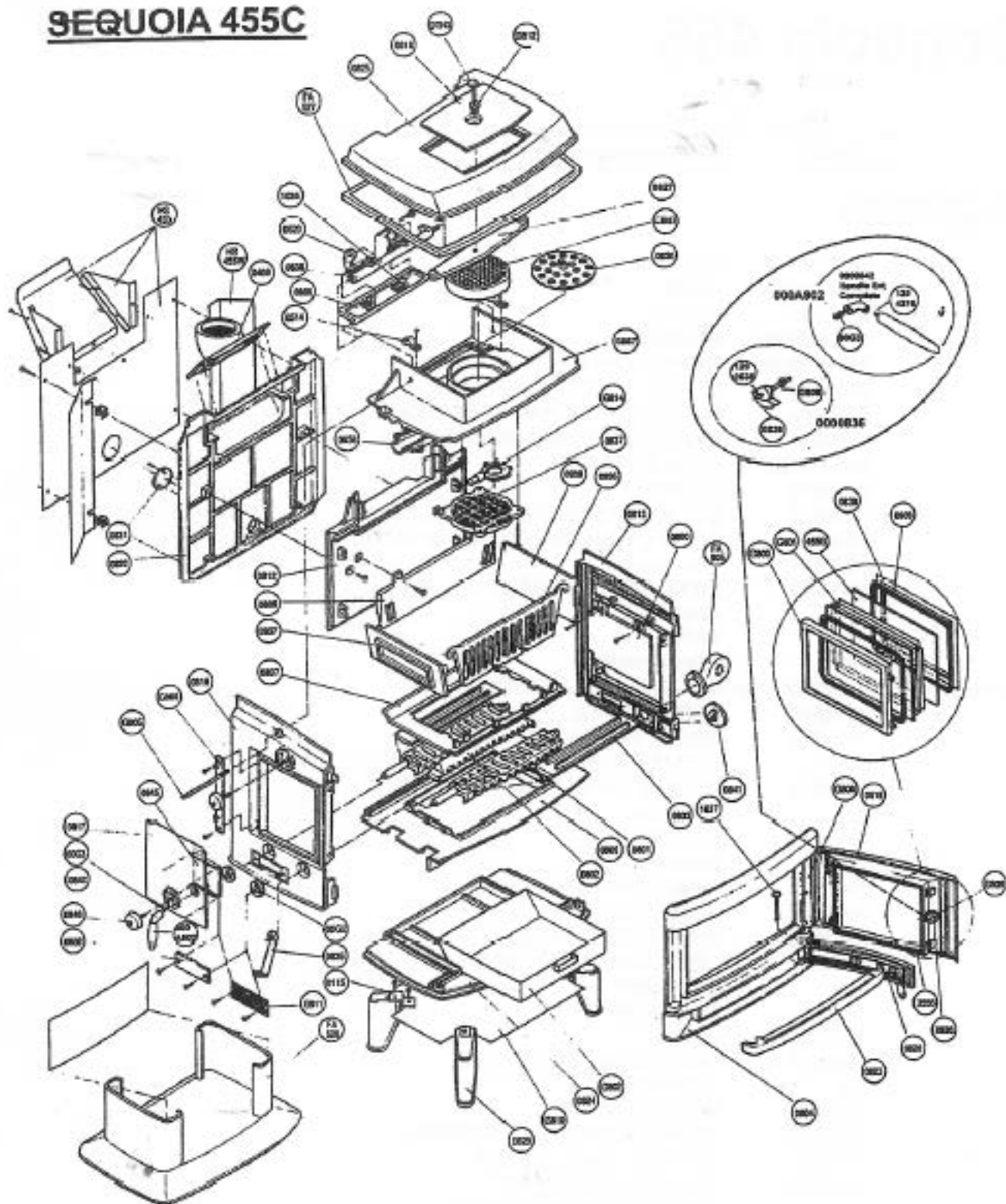


**SEQUOIA 455C**



# Sequoia 455

ITEM #	PART DESCRIPTION
--------	------------------

## CAST PARTS

7000820	ASH DOOR
<del>NA-7000822</del>	<del>BAGK</del>
7000837	BAFFLE
<del>NA-7000824</del>	<del>BOTTOM</del>
<del>NA-7000806</del>	<del>BYPASS-GATE</del>
7000523	BYPASS GATE CONNECTOR
700838A	BYPASS GATE CRANK ASSEMBLY
7000514	BYPASS GATE SIDE SUPPORT
<del>NA-7000830</del>	<del>COAL-STRAINER</del>
7000818	COOK TOP
7000827	COOK TOP SECURING ROD-CAST
0000836	DOOR LATCH ASSEMBLY C/W SHAFT
7000831	FAN PLATE
7000802	FIXED CENTER GRATE (16 - 3/4"L)
NA	<del>FLUE-COLLAR</del>
NA	<del>FRONT</del>
NA	<del>FRONT-DOOR</del>
<b>SUBSTITUTE:</b> 7001002 / 7001012 / 7001011 / (4) 1203556	
7000936	FRONT GRATE
7000808	GRATE BACK
NA	<del>GRATE-FRAME</del>
0000842	HANDLE EXTENSION
NA	<del>HEARTH</del>
NA	<del>INLET-PLATE</del>
NA	<del>INNER-BACK</del>
NA	<del>INNER-BOTTOM</del>
7000857	INNER TOP
7000858	INNER TOP CHANNEL
7000937	LEFT COAL GRATE SIDE
NA	<del>LEFT-SIDE</del>
NA	<del>LEFT-SIDE-DOOR</del>
7000829	LEG (1)
7000938	RIGHT COAL GRATE SIDE
NA	<del>RIGHT-SIDE</del>
7000801	ROCKER GRATE
70000G2	SHAKER GRATE CAP ASSEMBLY
7000803	SHAKER GRATE COVER
7000835	SHAKER GRATE TOOL
NA	<del>SIDE-HALF-WALL-(RIGHT)</del>
NA	<del>TOP</del>

**NON-CAST PARTS**

700G814	AIR DISTRIBUTOR
700G802	ASH PAN
NA	<del>BOTTOM HEAT SHIELD</del>
7000927	BOTTOM HEAT SHIELD HARDWARE
NA	<del>BRASS FAN COVER</del>
000A902	BRASS HANDLE ASSEMBLY (includes stud extension)
7000839	BRASS TRIM
1601036	BYPASS CONNECTOR CLIP
NA	<del>BYPASS GATE OPERATING ROD</del>
000CB57	CATALYST
0000TH3	CATALYTIC PROBE THERMOMETER
700G812	COOKTOP SLEEVE
700G809	DOOR SHAFT UNTHREADED
NA	<del>FIRESCREEN</del>
700G806	FRONT DOOR HINGE
700455G	GLASS
700G800	GLASS FRAME
700G801	GLASS SPACER FRAME
70000G3	HANDLE SPRING INSERT
7000115	HEAT SHIELD BRACKET
NA	<del>INLET SCREEN</del>
NA	<del>LARGE BRASS DIAL</del>
<b>SUBSTITUTE:</b> 7000011	
700G808	SIDE DOOR HINGE PLATE
NA	<del>SMALL BRASS DIAL</del>
<b>SUBSTITUTE:</b> 7000521	
NA	<del>WALL BRACKET</del>

**HARDWARE, GASKETS, & ACCESSORIES**

**SEE HARDWARE, GASKETS AND ACCESSORIES FOR ALL 88-89 PRODUCT**