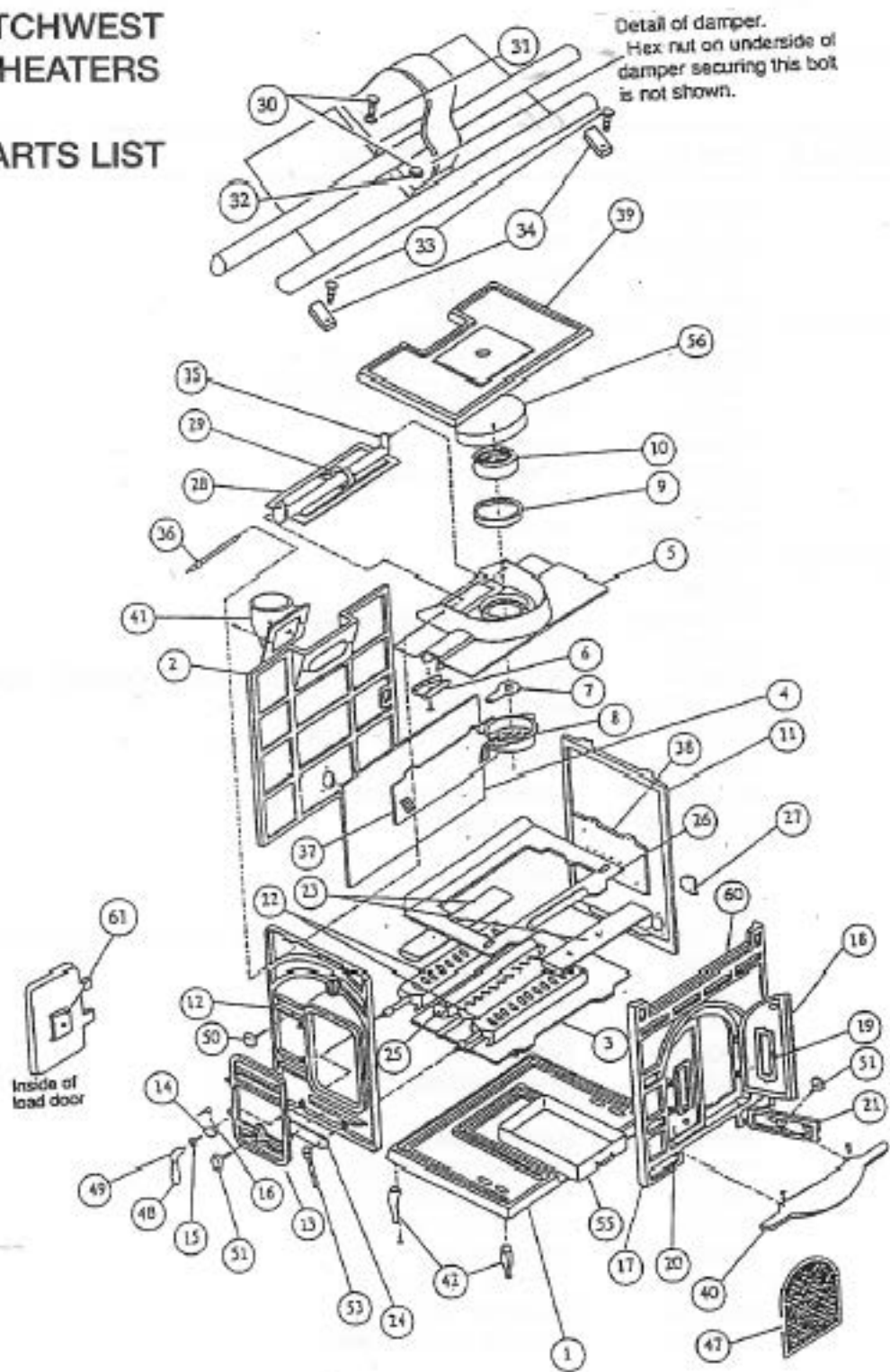


1990-1993 DUTCHWEST
CONVECTION HEATERS

X-VIEW AND PARTS LIST

Model:
2183 (Large)



Large Convection Model #2183

MANUFACTURED 1990-1993

DIAGRAM #	ITEM #	PART DESCRIPTION
1	7000978	BOTTOM
2	NA-7000973	BAGK
3	7001014	INNER BOTTOM
4	NA-7000970	INNER-BAGK
SUBSTITUTE: 7001183 / 7001166 / (2) 1201374		
5	0000004	INNER TOP WITH WEB
6	7000974	INNER TOP CHANNEL CAP
7	7000952	AIR DISTRIBUTOR
8	7000953	BAFFLE
9	0000837	INTERAM GASKET
10	000CB56	CATALYST
11	NA-7000967	RIGHT-SIDE
SUBSTITUTE: 7001217		
12	7000966	LEFT SIDE
	NA-000966A	LEFT-SIDE-WITH-DOOR
13	7001020	LEFT SIDE DOOR
14	0000836	DOOR LATCH W/SET SCREW & UNTHREADED SHAFT
15	700G809	DOOR SHAFT UNTHREADED
16	1200563	5/16-18 X 5/16 " SS SOC
17	7000971	FRONT
	NA-000971A	FRONT-WITH-DOORS
18	NA-7001022	RIGHT-DOOR
19	7000063	DOOR PANEL
20	NA-7001021	LEFT-DOOR
21	7001015	ASH DOOR
	7001126	MAY ALSO BE USED BUT HAS NO HOLE FOR DIAL DAMPER
22	7001085	ROCKER GRATE
23	7000710	GRATE COVER
24	7001082	SEAL GRATE
25	7000356	FIXED GRATE - 13-3/4"
26	7000352	GRATE FRAME
27	7000037	FAN PLATE
28	7000954	BYPASS GATE
29	7000950	BYPASS ADJUSTER
30	1201376	1/4-20 X 1 HEX HD
31	1203210	1/4-20 HEX HD NUT
32	1202527	1/4 WASHER
33	1201338	1/4-20 X 1/2 HEX HD
34	1601488	DAMPER TAB
35	7000951	BYPASS GATE CRANK

36	7000976	BYPASS GATE OPERATING ROD
37	7000362	BACK GRATE 21 1/2" WIDE
38	7000968	BALANCE AIR PLATE
	7001198	MAY ALSO BE USED
39	7000972	TOP
40	NA-7000359	HEARTH
41	7000969	FLUE COLLAR
42	7000016	6" LEG (1)
42	7000SL6	6" LEG SET
47	NA-7000G10	FIRESGREEN
48	000A902	BRASS HANDLE ASSEMBLY
49	0000842	HANDLE EXTENSION
50	NA-0000043	BRASS DIAL SMALL
	SUBSTITUTE: 7000521	
51	NA	BRASS DIAL LARGE
	SUBSTITUTE: 7000011	
53	NA	SHAKER GRATE TOOL
	SUBSTITUTE: 7000348	
55	7000G69	ASH PAN
56	1602515	REFRACTORY
57	70000G3	SPRING HANDLE
60	7000977	FRONT BRASS ROD
61	7000945	DOOR AIR DIFFUSER PLATE

ITEMS NOT SHOWN

1205147	5/32 ALLEN WRENCH
7000044	BRASS NAME PLATE
7001030	GENERAL INSTRUCTIONS
0005840	STOVE BAG KIT
7001107	GLASS
700826F	GLASS FRAME
7000948	THERMOMETER

HARDWARE

1201836	HINGE PIN
0005810	HARDWARE PACKAGE
1601488	DAMPER TAB
1203210	1/4-20 HEX HD NUT (BACK, FRONT, BYPASS ADJUSTER)
1202473	14 FLAT WASHER (BYPASS ADJUSTER)
1201338	1/4-20 X 1/2 HEX HD (DOOR PANEL, DAMPER TAB)