

## Intrepid II 2070

Manufactured from 12/94 through 3/98. Single Pane Glass & front catalyst access.

Item/Model Number	Part Number	Item/Model Number	Part Number
1. SECONDARY AIR COVER	1306762	24. JUMP RING	1201985
2. FLUE COLLAR	1306561	25. BALL CHAIN FITTING	1201972
3. BAGK	<del>NA 1306769</del>	26. BALL CHAIN	1201960
<b>SUBSTITUTE</b>	<b>1308662</b>	27. PRIMARY AIR FLAP	1306710
4. DAMPER ACTUATOR ROD	1602523	28. 1/8 - 1 1/2" AIR FLAP PIN	1601551
5. D-PLATE	1306725	29. 1/2" X 3/4" GLASS CLIP RETAINER	1601396
6. DAMPER	1306701	30. 10-24 X 3/8" PHILLIPSPAN HD MACH SCREW	1200983
7. DAMPER HOUSING	1306702	35. 10-24 X 1/4" PHILLIPS PAN HD MACHINE SCREW	1200980
8. THROAT HOOD	1306763	36. SECONDARY AIR PROBE ASSEMBLY	1601489
9. 3/8" X 16 WELD SCREW	1201583	37. SECONDARY AIRLINK	1601486
10. UPPER FIREBACK	1306703	38. SHIM RING	1201986
11. ROTATING CLAMP	1306724	39. SECONDARY AIR FLAP	1601490
12. 3/8-16 X 1 1/2" HEX HD CAP SCREW	1301456	45. REFRACTORY ASSEMBLY	1602527
13. LOWER FIREBACK	1306704	46. CANNED CATALYST BLOCK	1602521
14. 1/4-20 X 1/2" PHILLIPS RD HEAD MACHINE SCREW	1200895	47. REFRACTORY ACCESS PANEL	1602516
16. REAR AIR TUBE	1306706	49. ANDIRONS	1306717
20. THERMOSTAT COVER	1306711	50. LEFT INSERT (AIR TUBE)	1306714
21. DAMPER HANDLE STUB	0004355	51. GRATE	1308652
22. COMPRESSION SPRING	1201846	52. RIGHT INSERT (AIR TUBE)	1306713
23. THERMOSTAT COIL AND HANDLE	4601420	53. ASHPAN ASSEMBLY	5003522
		54. SLICER/POKER ASSEMBLY	5005708

## Intrepid II 2070 cont.

Item/Model Number	Part Number	Item/Model Number	Part Number
96. NUT, JAM	1203290	3/8 - 16 ACORN NUT (DAMPER HOUSING)	1203130
97. HANDLE COMPLETE	0004342	10 - 24 X 1/4 PH PAN HD SCREW	
PRIMARY AIR FLAP ASSEMBLY	0004605	(SECONDARY AIR PROBE, GLASS CLIPS STEPPED)	1200980
GLASS CLIP FLAT	1601396	DOOR PIN	1600535
LEGS (4)	5003457	1/4 - 20 X 3/4" PH RD HD MACHINE SCR	
LEG BOLT PACKAGE	5007305	(FLUE COLLAR SC)	1200901
		1/4 - 20 X 1/2 HEX HD CAP SCREW (QUADRANT)	1201338
		10 - 24 X 5/8 PH PAN HD MACHINE SCREW	
		(FLAT GLASS CLIP 180-1394, SECONDARY AIR COVER)	1200986
		10 - 24 X 3/4 PHILLIPS PAN HEAD (AIR GUIDES)	1200991
		10 - 24 X 3/8 PHILLIPS PAN HEAD	
		(THERM FLAP CLIP SC)	1200983
		5/16" HOLE PLUG FOR THE BOTTOM	1201899

\*Use the following prefixes for Enamel Parts:

232 - Red	132 - Sand	133 - Blue	231 - Green
AIR FLAP			*6710
BACK			*6767
BOTTOM			NA
<b>SUBSTITUTE:</b>			<b>6764</b>
FLUE COLLAR			*6561
FRONT			*6444
LEFT DOOR (AVAILABLE IN SAND & BLUE ONLY)			*6716
LEFT END (AVAILABLE IN SAND ONLY)			*6709
RIGHT DOOR			NA
RIGHT END (AVAILABLE IN RED & SAND ONLY)			*6723
THERMOSTAT COVER			*6711
TOP			NA
LEG 1			*6333
FRONT WITH DOORS RED			5006088
FRONT WITH DOORS SAND			5006092
FRONT WITH DOORS BLUE			5006097
FRONT WITH DOORS GREEN			5006090
SET OF 4 LEGS SAND			5006016
SET OF 4 LEGS RED			5006011
SET OF 4 LEGS BLUE			5006020
SET OF 4 LEGS GREEN			5006016

## Hardware

1/4 - 20 X 1/2" PH RD HD MACHINE SCR	
(FIREBACK, DAMPER TAB)	1200895
1/4 - 20 X 5/8" SOCKET BUT HD CAP SCR (DAMPER)	1201529
1/4 - 20 X 3/4" KNURL CUP SOCKET SCR (DAMPER)	1200434
1/4 - 20 HEX NUT/ (DAMPER)	1203210
3/8 - 16 X 1 1/2 HEX HD CAP SCREW	
(LOWER FIREBACK CLAMP)	1201456
3/8 NARROW WASHER (LOWER FIREBACK CLAMP)	1202560
3/8 - 16 X 1 BL OX (FIREBACKS, DAMPER HOUSING)	1201583

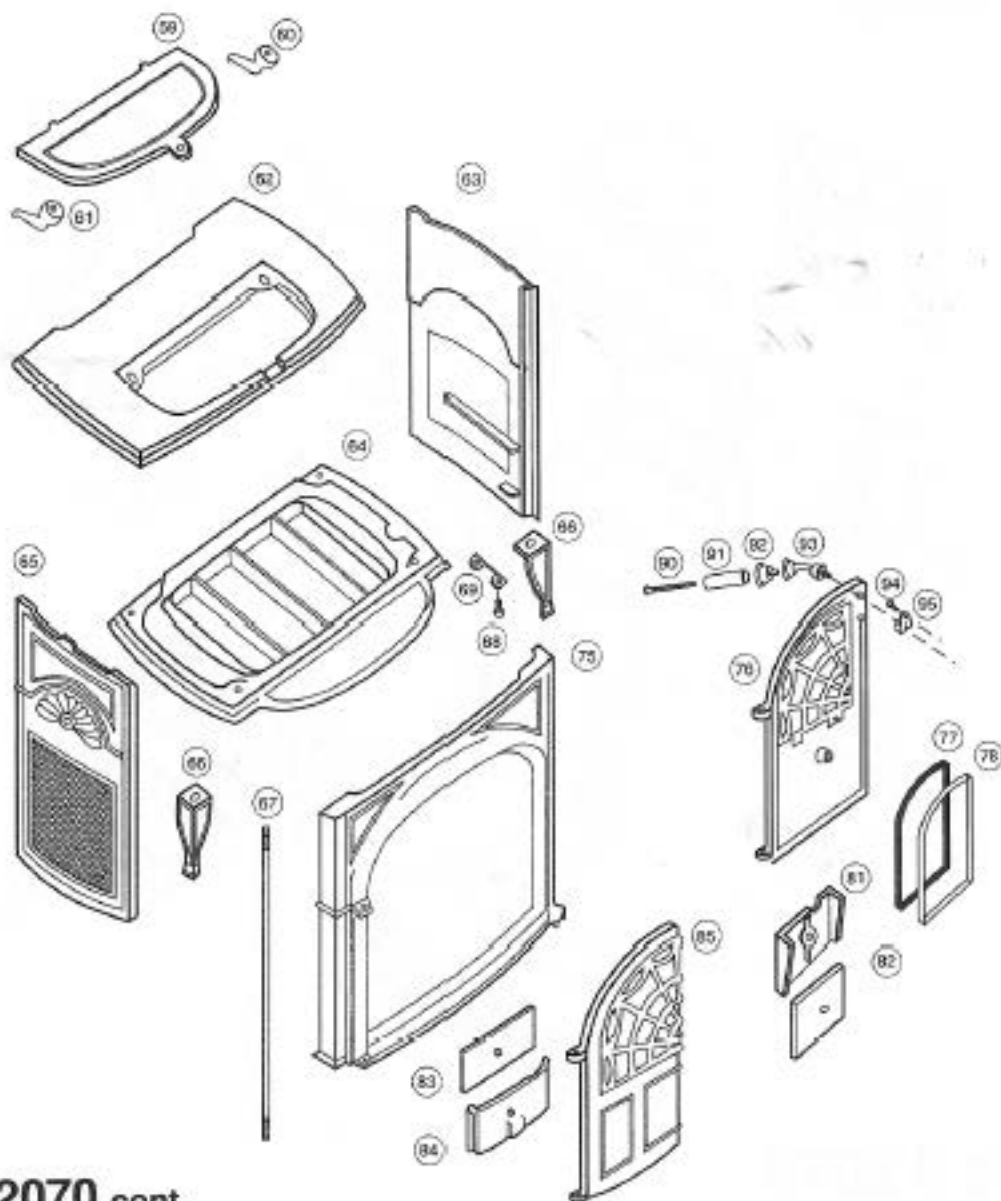
## Gaskets

Below is a list of the type of gasket and the length needed on the Intrepid II 2070.

Location	Gasket Size	Quantity Needed	Part Number
BACK	3/16" FIBERGLASS	3.0'	1203556
DMP HOUSING	3/16" FIBERGLASS	1.5'	1203556
DMP HOUSING	5/16" FIBERGLASS/ NDLE MED DENS	2.5'	1203588
LEFT DOOR	5/16" FIBERGLASS/ 6 NDLE MED DENS	2.8'	1203588
GRIDDLE	5/16" ARMASEAL	3.6'	1203668
FLUE COLLAR	3/16" FIBERGLASS	2.5'	1203591
RIGHT DOOR	5/16" FIBERGLASS/ NDLE MED DENS	2.2'	1203588
GLASS PANEL	GASKET (1 PER DOOR)	1	1203517

Majestic reserves the right to make changes in design, materials, specifications, prices and discontinue colors and products at any time, without notice.

Vermont Castings, Majestic Products,  
410 Admiral Blvd., Mississauga, ON L5T 2N6.  
Phone (905) 670-7777.  
www.vermontcastings.com



## Intrepid II 2070 cont.

Item/Model Number	Part Number	Item/Model Number	Part Number
59. GRIDDLE	1306356	86. LEFT DOOR GLASS (NOT SHOWN)	1401154
60. RIGHT GRIDDLE QUADRANT	1301807	90. 1/4-20 X 3 3/8" SLOTTED OVAL HEAD MACHINE SCREW	1201294
61. LEFT GRIDDLE QUADRANT	1301832	91. CERAMIC HANDLE	1600620
62. TOP	NA	92. HANDLE ADAPTOR INSERT	1600650
<b>SUBSTITUTE:</b>	<b>1308657</b>	93. DOOR HANDLE WITH SHAFT	5004237
63. RIGHT END	1306723	94. 1/4-20 X 3/4" OVAL POINT SOCKET SET SCREW	1200461
64. BOTTOM	1306764	95. PAWL	1300515
65. LEFT END	1306709	LARGE PAWL NUT	1203290
66. LEG	1306333	SET SCREW ONLY	1200417
67. TIE ROD	1601640	DAMPER ASSEMBLY	5004609
68. 3/8"-16 X 1" HEX HEAD CAP SCREW	1201432	DAMPER TAB	1601488
69. DOOR HANDLE HOLDER	1600600	3/8 - 16 ACORN NUT	1203130
75. FRONT	1306444	THROAT HOOD	1306763
76. RIGHT DOOR FORMED GLASS	1306765	RIGHT DOOR ONLY	1306765
77. GASKET	1203517	GLASS CLIP RETAINER STEPPED	1601393
78. RIGHT DOOR GLASS	1401153	DOOR PIN	1600535
81. RIGHT AIR DEFLECTOR (CAST)	1306719	FELT DOOR PIN WASHER	1202420
82. RIGHT AIR GUIDE (STAINLESS STEEL)	1601497	STRIKER BOLT ONLY	1200436
83. LEFT AIR GUIDE (STAINLESS STEEL)	1601496	DAMPER HANDLE SET SCREW ONLY	1200563
84. LEFT AIR DEFLECTOR (CAST)	1306718	THERMOSTAT ASSEMBLY	5005506
85. LEFT DOOR	1306766		