

366 / 903

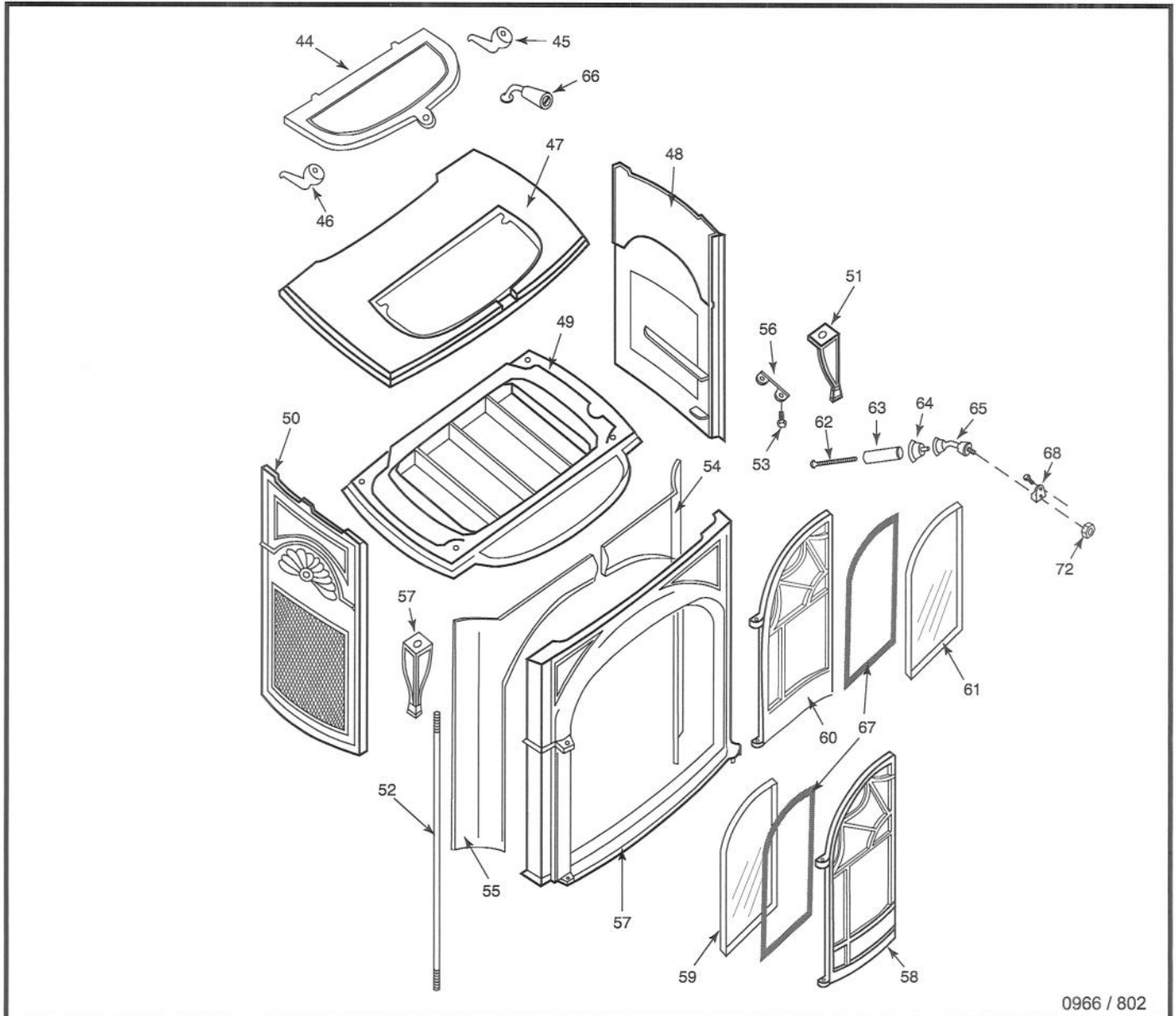
CFM Corporation reserves the right to make changes in design, materials, specifications, prices and discontinue colors and products at any time, without notice.

Intrepid II Woodburning Stove

Model 1990

Item Description	Part Number
1. Secondary Air Cover	1306762
2. Flue Collar	See Chart Pg. 14
3. Back Panel	1308662
4. Damper Rod	1602523
5. Damper Clip	1306725
6. Damper	1306701
7. Damper Housing	1306702
8. Throat Hood	30001649
9. Weld Screw	1201583
10. Upper Fireback	1306703

Item Description	Part Number
11. Fireback Clamp	1306724
12. 3/8" - 16 x 1 1/2" Hex Bolt	1201456
13. Lower Fireback	1306704
15. Rear Air Tube	1308658
16. Thermostat Cover	1306711
17. Damper Handle Assembly	5004265
18. Friction Spring	1201846
20. Thermostat Clip	1601408
21. Ball Chain Fitting (2)	1201972
22. Ball Chain	1201960



0966 / 802

CFM Corporation reserves the right to make changes in design, materials, specifications, prices and discontinue colors and products at any time, without notice.

Intrepid II Woodburning Stove Model 1990 (continued)

Item Description	Part Number
22a. Thermostat Assembly	5005506
23. Primary Air Flap	1306710
24. Air Flap Pin	1601551
25. Clip	1601396
26. #10-24 x 3/8" Pan Head Bolt	1200983
27. #10-24 x 1/4" Pan Head Bolt	1200980
28. Secondary Probe Assembly	1601489
29. Secondary Air Link	1601486
30. Phillips Bolt, 1/4"-20 x 5/8"	1200896
31. Shim Ring	1201986
32. Secondary Air Flap	1601490
33. Refractory Chamber w/ Access Panel	1602527

Item Description	Part Number
34. Catalyst Block	30001153
35. Refractory Access Panel	1602516
36. Andiron	1306717
37. Left Insert	1308651
38. Grate	1308652
39. Right Insert	1308650
40. Ashpan Only	1400951
41. Ashpan Front Only	1306493
42. Ashpan Handle	30000973
43. Damper Tab	1601488
44. Griddle	1306356
45. Right Griddle Quad	1301832

Intrepid II Woodburning Stove Model 1990 (continued)

Item Description	Part Number
46. Left Griddle Quad	1301807
47. Top	See Chart Pg. 14
48. Right Side	See Chart Pg. 14
49. Bottom	See Chart Pg. 14
50. Left Side	See Chart Pg. 14
51. Leg	See Chart Pg. 14
52. Tie Rod	1601640
53. Leg Bolt, 3/8"-16 x 1" Hex Bolt	1201432
54. Right Air Manifold	1308654
55. Left Air Manifold	1308653
56. Handle Holder	1600600
57. Front	See Chart Pg. 14
58. Left Door	See Chart Pg. 14
59. Left Glass Panel ²	1401157

Item Description	Part Number
60. Right Door	See Chart Pg. 14
61. Right Glass Panel ²	1401156
62. Handle Bolt, 1/4"-20 x 3 3/8"	1201294*
63. Ceramic Handle	20006381*
64. Handle Insert	30002714*
65. Front Door Handle	30002719
66. Griddle Handle Assembly	30002775
67. Gasket, Fiberglas 3/16" 4nd, Blk	1203556
68. Latch Assembly	5004025
69. Glass Clips, Bottom	30000832
70. Glass Clips, Side	30000833
71. Glass Clips, Top	30000834
72. Nut, Jam	1203290
73. Ashpan Assembly	5003522
74. Bottom Heat Shield Assy. (not shown)	30004020
75. C-Clip (not shown)	1204015
76. Wing Screw (not shown)	1201621

* Included in 0004345 Ceramic Handle Assy.

Shell Enamel Parts - Intrepid II Model 1990									
Enamel Color	Top	Bottom	Left Side	Right Side	Flue Collar	Front	Left Door Only	Right Door Only	Single Leg
Classic	1308657	1306764	1308656	1308655	1306561	1308647	1308649	1308648	1306333
Biscuit	30003180	30003174	30003176	30003175	30003181	30003177	30003179	30003178	30003182
Bordeaux	2328657	2326764	2328656	2328655	2326561	2328647	2328649	2328648	2326333
Chestnut Brown	30003190	30003184	30003186	30003185	30003191	30003187	30003189	30001888	30003192
Ebony	30003200	30003194	30003196	30003195	30003201	30003197	30003199	30003198	30003202
Forest Green	2318657	2316764	2318656	2318655	2316561	2318647	2318649	2318648	2316333
Midnight Blue	2378657	2376764	2378656	2378655	2376561	2378647	2378649	2378648	2376333
Sand	1328657	1326764	1328656	1328655	1326561	1328647	1328649	1328648	1326333
Suede Brown	30002571	30002567	30002569	30002568	30002508	30002570	30002506	30002505	30002509
Vt. Classic Green	30003210	30003204	30003206	30003205	30003211	30003207	30003209	30003208	30003212

Gaskets

1203588	5/16" Medium Density 6ND Gasket 5' Doors 2.25' Damper Housing for Damper
1203560	1/4" Low Density 3ND Gasket 2' Damper Housing 1.5' Lower Fireback 4' Back (Inner) for Firebacks
1203668	5/16" Gasket Wire Fiberglass W/Core 3.6' Top for Griddle
1203591	5/16" Adhesive Backed Gasket 2.5' Flue Collar
1203556	Gasket, Fiberglas 3/16" 4nd Blk 1 Each Glass

Accessories

Heat Shield

1601755	1/4" Spacer Used on Rear
0005834	Spacer Hardware Kit - Set of 4 (1601755)
1201621	Wing Screw for Bottom HS
1204015	C-Clip for Bottom HS
0005802	Hardware Kit for Bottom HS includes 4 (1204015) and 4 (1201621)

Intrepid II Woodburning Stove

Model 1990 (continued)

Warming Shelf

1601705	Mittenrack
30000967	Hardware Package

Shelf

1302254	Classic	2312254	Forest Green
30003214	Biscuit	2372254	Midnight Blue
2322254	Bordeaux	1322254	Sand
30003216	Ch. Brown	30002535	Suede Brown
30003218	Ebony	30003220	Vt. Cl. Green

Bracket

1302272	Classic	2312272	Forest Green
30003215	Biscuit	2372272	Midnight Blue
2322272	Bordeaux	1322272	Sand
30003217	Ch. Brown	30002536	Suede Brown
1342272	Ebony	30003221	Vt. Cl. Green

Short Legs

1300663	Classic	2310663	Forest Green
30003222	Biscuit	2370663	Midnight Blue
2320663	Bordeaux	1320663	Sand
30003223	Ch. Brown	30002543	Suede Brown
30003224	Ebony	30003225	Vt. Cl. Green

Packed Inside the Stove (Stove Bag - 0005936)

30002775	Griddle Handle Complete
30002715	Griddle Handle Stub
1600661	Griddle Handle Wood Knob
1201900	Griddle Bushing
1201308	Griddle Handle Wood Handle Screw
1203210	Griddle Handle Wood Handle Nut
1201432	3/8-16 x 1" Zinc Hex Head Cap Screw
1202488	Washer, Flat 3/8 Zinc .442 id x 1 od
1600600	Holder, door Fallaway Handle
1205116	Allen Wrench, 1/8" Short Arm
1205147	Allen Wrench, 5/32" Short Arm
0004345	Complete Handle Package
20006381	Handle
30002714	Lifter
1202061	#10 x 3/4" Black Phillips PanHead Sheet Metal Screw
2001111	Registration Card
2000966	Intrepid II Manual

Hardware

1200563	5/16-18 x 5/16 Socket Set Screw (1-damper handle)
1200434	1/4-20 x 3/4" Knurl Cup Socket Screw (1-damper adjuster)
1203210	Nut, Hex 1/4-20 Plain (1-damper ramp)
1200815	1/4-20 x 1 1/2" Phillips Flat Head Screw (2-front air manifolds)
1200895	10-24 x 3/8" Black Phillips Pan Head Screw (1-lower fireback)
1200896	1/4-20 x 5/8" Phillips Round Head Screw (2-secondary air cover)
1200900	1/4-20 x 3/4" Black Phillips Round Head Screw (1-hold both manifolds to front)
1200901	1/4-20 x 3/4" Nickel Phillips Round Head Screw (2-flue collar to back)
1200980	10-24 x 1/4" Phillips Pan Head Screw (2-secondary air probe, 1-glass clip cement channel)
1200983	10-24 x 3/8" Zinc Phillips Pan Head Screw (1-primary air flap clip to back, 5-glass clips to right door, 5-glass clips to left door)
1200993	1/4-20 x 3/8" Black Phillips Pan Head Screw (2-ashpan handle to ashpan assembly)
1200995	1/4-20 x 2" Zinc Phillips Pan Head Screw (2-thermostat cover to back)
1200998	10-24 x 1/2" Phillips Truss Head Screw (4-heat shield holes in back)
1201152	3/8-16 x 1/2" Zinc Slotted Round Head Screw (4-leg bolt hole fillers)
1201338	1/4-20 x 1/2" Black Hex Head Cap Screw Gr 5 (1-each griddle quadrant, 2-damper tabs to upper fireback)
1201432	3/8-16 x 1" Zinc Hex Head Cap Screw (4-legs)
1201456	3/8-16 x 1 1/2" Zinc Hex Head Cap Screw (2-lower fireback clamp)
1201846	Spring, Friction (1-thermostat assembly to stove back)
1201960	Ball Chain, #6 Nickel (1'-primary air thermostat assembly)
1202560	Washer, 3/8 Narrow (2-lower fireback clamp)
1203130	3/8-16 Acorn Nut (On stove back - 1-damper housing, 1-lower fireback, 2-upper fireback)

Intrepid II Woodburning Stove

Model 1990 (continued)

1203161	Nut, Hex Head 3/8-16 Standard (1-damper housing handle side)
1201529	1/4-20 x 5/8" Socket But Head Cap Screw (1-damper ramp)
1201583	3/8-16 x 1" Black Weld Screw (3-damper housing, 1-lower fireback)
1201899	Hole Plug, 5/16" TRW#51034 (1-thermometer hole in back)
1201972	Fitting, Ball Chain (1-ball chain to jump ring on thermostat, 1-ball chain to air flap)
1201985	Ring, Jump Small Plated (1-ball chain fitting primary air thermostat, 4-door pins on porcelain units)
1201986	Ring, Shim - 18 Ga Nickel (1-secondary air flap)
1202423	Washer, Zinc Flat #10 SAE .218 id x .5 od (1-thermostat)
1202474	Washer, Zinc 1/4 Flat .131 id x .742 os (1-holds both manifolds to front)
1202475	Washer, 1/4 Narrow Flat .275 id x .5 od (1-damper ramp)
1202906	Rivet, Pop 1/8 Dia x 1/8" Grip Zinc (4-safety label)
1202907	Rivet, Pop 1/8 Dia x 5/16" Grip (4-ashpan front to pan, 1-primary air ball chain fitting to air flap)
1203213	Nut, Hex Head 1/4-20 Flex Lock (4-tie rods)
1203290	Nut, Jam Large Hex (1-door shaft for pawl assembly)
1600535	Pin, Door Hinge 3/16 x 3/4" Nickel (2-right door, 2-left door)
1601551	Pin, 1/8 x 1 1/2" Stainless Steel (1-air flap to back)
1601396	Clip (1-air flap pin to back)