



RADVT Series Radiance® Direct Vent Gas Heater Installation and Operating Instructions

Models: RADVT(CS)CBSB, RADVT(CS)BSSB, RADVT(CS)BDSB, RADVT(CS)BMSB

▲ WARNING:

FIRE OR EXPLOSION HAZARD

Failure to follow safety warnings exactly could result in serious injury, death or property damage.

- Do not store or use gasoline or other flammable vapors and liquids in the vicinity of this or any other appliance.
- **WHAT TO DO IF YOU SMELL GAS**
 - Do not try to light any appliance.
 - Do not touch any electrical switch; do not use any phone in your building.
 - Leave the building immediately.
 - Immediately call your gas supplier from a neighbor's phone. Follow the gas supplier's instructions.
 - If you cannot reach your gas supplier, call the fire department.
- Installation and service must be performed by a qualified installer, service agency or the gas supplier.

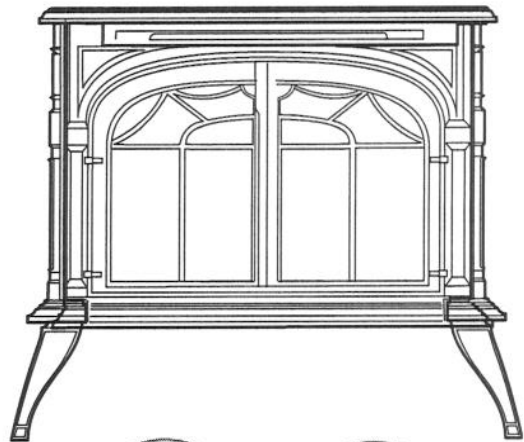
WARNING: Improper installation, adjustment, alteration, service or maintenance can cause injury or property damage. Refer to this manual. For assistance or additional information consult a qualified installer, service agency or the gas supplier.

This appliance may be installed in an aftermarket,* permanently located, manufactured home (USA only) or mobile home, where not prohibited by local codes.

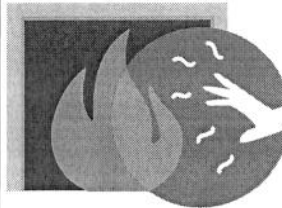
This appliance is for use only with the type of gas indicated on the rating plate. This appliance is not convertible for use with other gases, unless a certified kit is used.

* Aftermarket: Completion of sale, not for purpose of resale, from the manufacturer.

**CERTIFIED
SAFETY BARRIER**



DANGER



**HOT GLASS WILL
CAUSE BURNS.**

**DO NOT TOUCH GLASS
UNTIL COOLED.**

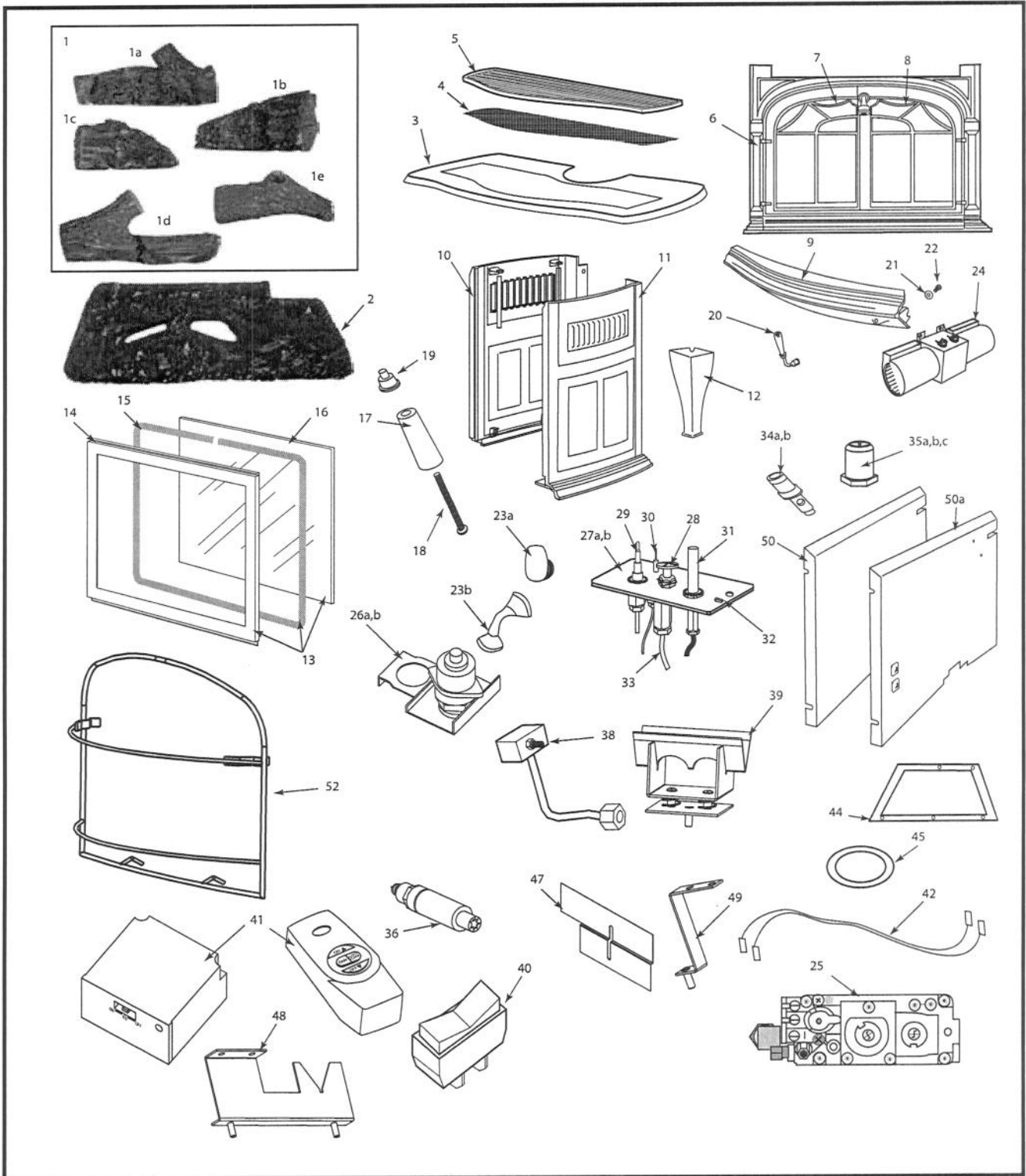
**NEVER ALLOW CHILDREN
TO TOUCH GLASS.**

A barrier designed to reduce the risk of burns from the hot viewing glass is provided with this appliance and shall be installed.

INSTALLER: Leave this manual with the appliance.
CONSUMER: Retain this manual for future reference.

Radiance Direct Vent Gas Heater

Replacement Parts



Vermont Castings Group reserves the right to make changes in design, materials, specifications, prices and discontinue colors and products at any time, without notice.

Radiance Direct Vent Gas Heater (continued)

Replacement Parts

Ref.	Description	RADVT/RADVTCS
1.	Log Set - Complete	20012550
1a.	Log, Rear	20012541
1b.	Log, Right Front	20012543
1c.	Log, Left Front	20012542
1d.	Left Cross Log	20012544
1e.	Right Cross Log	20012545
2.	Ember Bed Assembly	20012206
3.	Top	Refer to Enamel Parts Chart
4.	Screen, Top	1601970
5.	Grille	1301195
6.	Front II	Refer to Enamel Parts Chart
7.	Door, Left	Refer to Enamel Parts Chart
8.	Door, Right	Refer to Enamel Parts Chart
9.	Control Door	Refer to Enamel Parts Chart
10.	Left End	Refer to Enamel Parts Chart
11.	Right End	Refer to Enamel Parts Chart
12.	Leg	Refer to Enamel Parts Chart
13.	Glass Frame Assembly	5003075
14.	Frame, Glass	1409112
15.	Gasket, Glass Med. Knit	1203702
16.	Glass, GFP Firebox	1601290
17.	Wood Handle	1600664
18.	Pan Hd, SI 1/4-20 x 3-Z	1201310
19.	Brushed Nickel Insert	30002714
20.	Control Door Handle Assembly	30002730
21.	Washer, Flat 1/4 - Blk. 266 x .629.064	1202473
22.	CS, Hex Hd 1/4-20 x 5/8" - Blk	1201372
23a.	Latch, Front Door	30001249
23b.	Front Door Steel Handle w/Screw	30002720
24.	Fan Blower (RADVTCS Series Only)	30005069
25.	Valve Nova SIT820.852	20012218
25a.	Valve SIT MV HI/LO 0.820.652 - Nat. (RADVTCS Series Only)	37D0117
26a.	Stepper Motor - Nat. (RADVTCS Series Only)	50D0099
26b.	Stepper Motor - LP (RADVTCS Series Only)	50D0100
27a.	Pilot Assembly 3Way N/DV RN 0.199.706	10002264
27b.	Pilot Assembly 3Way N/DV RP 0.199.703	10002265
28.	Pilot Top Convertible	10002266
29.	Thermocouple 24"	53373 7531137
30.	Electrode Ignitor w/ Cable SIT24	10001297
31.	Thermopile 18" RS	51827 7533113
32.	Nut Electrode SIT #0.974.144	57886
33.	Tubing Pilot w/ Fitting 1/8 x 24"	10001296
34a.	Pilot Orifice #62 - NG Top Convertible	37D0022
34b.	Pilot Orifice #35 - LP Top Convertible	37D0023
35a.	Orifice Hood 1.75 mm LP	20012946
35c.	Orifice - High Altitude #33 (0.113") Natural	20012554
36.	Ignitor Piezo w/ Nut SIT	057958

Radiance Direct Vent Gas Heater (continued)

Replacement Parts

Ref.	Description	RADVT/RADVTCS
37.	Bracket Piezo Ignitor/Control (not shown)	20010876
38.	Manifold Assembly	20012202
39.	Air Shutter Assembly	20012204
40.	Trim ON/OFF Switch	30000874
41.	Remote Kit (Hi/Lo, Blower) (RADVTCS Series only)	RCSITEA
42.	Wire w/ Straight Term 2 End 50"	10002582
44.	Gasket Base Pan	20004287
45.	Gasket, HE Door	1203687
46.	Gasket Cement, 3 oz. Tube (not shown)	1206122
47.	Restrictor Plate	20013028
48.	Right Burner Support Assembly	20012443
49.	Tie Bracket Assembly	20012442
50.	Rear Shroud Assy. (RADVT Series Only)	20004194
50a.	Rear Shroud Assy. (RADVTCS Series Only)	20300123
51.	Bracket Igniter (not shown) (RADVTCS Series Only)	20300111
52.	Safety Screen Barrier	30007253

Shell Enamel Parts - Radiance Direct Vent									
Enamel Color	Model	Top	Left End	Right End	Front	Left Door	Right Door	Control Door	Leg (4)
Classic Black	RADVTCB RADVTCSCB	1301194	30001751	30001752	30001376	30001378	30001377	30001413	30001753
Biscuit	RADVTBS RADVTC SBS	30003244	30003239	30003238	30003240	30003242	30003241	30003243	30003245
Bordeaux	RADVTBD RADVTC SBD	30006794	30006789	30006788	30006790	30006792	30006791	30006793	30006795
Brown Majolica	RADVTBM RADVTC SBM	30004933	30004927	30004926	30004928	30004930	30004929	30004931	30004934
Ebony Black	RADVTEB RADVTC SEB	30003262	30003257	30003256	30003258	30003260	30003259	30003261	30003263

Fuel Conversion Kits

Conversion Kit, NG to LP - RADVTCS	Kit 20300165
Conversion Kit, NG to LP - RADVT	Kit 20012729
Conversion Kit, LP to NG - RADVTCS	Kit 20300166
Conversion Kit, LP to NG - RADVT	Kit 20012899