

0888 / 303

CFM Corporation reserves the right to make changes in design, materials, specifications, prices and discontinue colors and products at any time, without notice.

# WinterWarm Small Insert Model 2080

Item Description	Part Number
1. Bottom	1301332
2. Bottom Leg	1301341
3. Shadow Tray	1301321
4. Air Valve, Primary	1601570
5. Clip, Glass	1601393
6. Right Side	1301317
7. Left Side	1301318
8. Primary Air Cover	1301324
9. Back	1301328
10. Catalyst Block	30001153
11. Refractory Assembly c/w Access Panel	1602527
12. Throat Hood	30001649
13. Fiberglass Gasket	1203588

Item Description	Part Number
14. Wedge	1301340
15. Catalyst Fireback	1301346
16. Front Frame II	1301367
17. Hinge	1301366
18. Ashpit Door Hinge	1301336
19. Ashpit Door	1301335
20. Gasket, Fiberglass	1203588
21. Gasket, Fiberglass	1203564
22. Door	See Chart Pg. 3
23. Top	1301307
24. Air Reservoir	1301323
25. Coil & Shaft, Thermostat Assy.	5003733
26. Side Trim Panel	See Chart Pg. 3

## WinterWarm Small Insert Model 2080 (continued)

Item Description	Part Number
27. Thermostat Cover	1301304
28. Gate Frame II	1301357
29. Left Burnplate	1301338
30. Right Burnplate	1301339
31. Grate	1301365
32. Andiron	1301333
33. Retainer	1301301
34. Ashpan	1402442
35. Fan Cover	1301331
36. Gasket, Fan Cover	1203588
37. Steel Handle Stub	30002723
38. Ashdoor Lockplate	1405797
39. Door Glass (19 <sup>3</sup> / <sub>16</sub> " x 11 <sup>3</sup> / <sub>8</sub> ")	1601571
40. Wood Handle	1600682
Wireform Handle	1600694
Insert, Lifter - Brushed Nickel	30002714
41. Mantel	See Chart Pg. 3

Shell Enamel Parts - WinterWarm Small Insert Model 2080			
Part Name	Classic	Sand	Midnight
Door	1301322	1321322	1341322
Side Trim Panel	1301342	1321342	1341342
Mantel	1301320	1321320	1341320

### Hardware

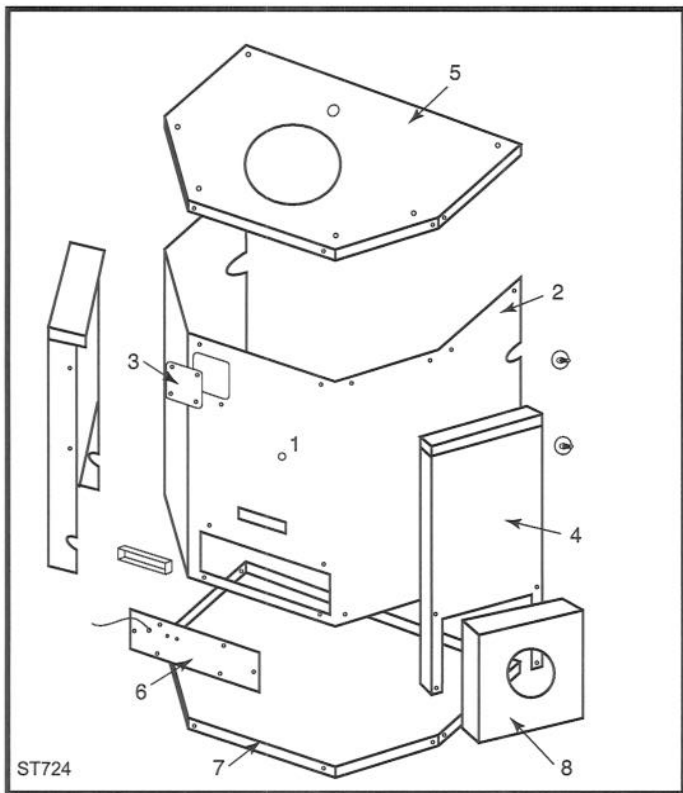
1200980	10-24 x 1/4" Phillips Pan Head Screw (4-glass clips, 2-clips to primary air valve, 1-rheostat handle retainer, 1-secondary air flap to back, 1-secondary coil to back, 1-back filler bolt)
1200986	10-24 x 5/8" Zinc Phillips Pan Head Screw (3-air adjusting plate to reservoir)
1201152	3/8-16 x 1/2" Zinc Slotted Round Head Screw (1-plug hole in left side)
1201340	1/4-20 x 1/2" Stainless Steel Hex Head Cap Screw (1-damper adjusting bracket to top, 2-thermostat cover to left side, 1-damper link to damper, 2-damper to damper housing, 2-secondary cover to back)
1201378	1/4-20 x 1/4" Zinc Flathead Hex Head Cap Screw (2-front frame to right side, 1-fan cover to retainer, 2-front frame to left side, 2-trim to right side, 1-top to back)
1201393	1/4-20 x 1 3/4" Stainless Steel Hex Cap Screw Gr 5 (1-air reservoir to top, 2-top to sides)

Item Description	Part Number
42. Damper Housing	1301348
43. Damper	1301347
44. Damper Handle	1301327
45. Damper Rod Connector	1601573
46. Damper Handle Adjusting Plate	1604507
47. Adjustable Airwash Plate	1405815
48. Hook Bolt	1201497
49. Threaded Rod 1/4-20 x 7 1/2"	1204242
50. Steel Plate 1/4" x 1" x 8"	1405819
51. Wing Nut	1203110
52. Hex Nuts 1/4 20	1203210
53. Washer	1202470
54. Secondary Air Cover Plate	1601492
55. Secondary Air Probe Assy	1601489
56. Secondary Air Link	1601486
57. Secondary Air Flap	1601490
58. Gasket 5/16" Adhesive Backed	1203591
59. Door Handle Assy	30002717
60. Door Handle Pawl Assy	5004025
61. Access Plug	1602516
62. Shield, Primary Air	30002433

1201395	1/4-20 x 1 1/2" Stainless Steel Hex Cap Screw (2-sides to bottom, 2-sides to back, 2-damper housing to back)
1201403	1/4-20 x 2 1/4" Full Thread Hex Head Cap Screw (2-primary air cover to left side)
1203130	Nut, Acorn 3/8-16 Nickel (1-damper shaft)
1203210	Nut, 1/4-20 Hex Plain (2-sides to bottom, 2-sides to back, 2-top to sides, 2-primary air cover on left side and trim to left side, 2-shell to primary air cover, 4-front frame to sides, 1-air reservoir to top, 2-trim to right side, 1-top to back, 2-legs to bottom, 2-shadow tray to bottom, 2-ashdoor hinge to front, 2-door hinge to front, 1-ashdoor lock plate, 1-front door pawl, 1-vent draw down kit)
1203251	Nut, Zinc Hex 10-24 (3-air adjusting plate to air reservoir, 2-terminal strip to lower back shell)
1203290	Nut, Zinc Hex Jam 3/8-16 Top Lock (1-damper handle to damper rod, 1-plug hole in left side, 1-ashdoor lock plate, 1-door handle to pawl)
1202423	Washer, Flat #10 SAE (3-air adjusting plate to air reservoir, 1-thermostat to cover plate)
1202470	Washer, Plain Flat 1/4" 7/8" od (4-sides to bottom, 2-sides to back, 4-top to sides, 2-top to back, 2-damper housing to back, 2-hinge spacers, 3-vent draw down kit)

**WinterWarm Small Insert****Model 2080 (continued)**

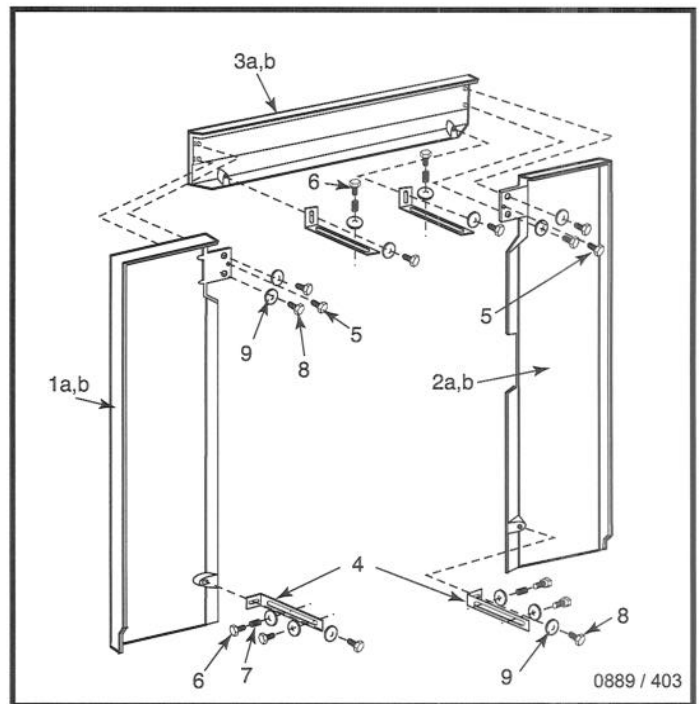
1202474	Washer, Standard Flat 1/4 - Z .313 id x .742 od x .06 Thick (1-fan cover to retainer, 2-primary air cover to left side and trim to left side, 1-air reservoir to top, 4-front frame to sides, 2-trim to right side, 4-legs to bottom, 2-shadow tray to bottom, 2-door hinge to front)	1600564	Handle, Front Door - Explorer (2-front door)
1202488	Washer, Flat 3/8 - Z .442 id x 1 od x .074 Thick (3-damper rod)	1204867	Cable, Control 1/32" Stainless Steel (1-primary air assembly)
1202492	Washer, Thick Flat .52 id x .875 od (2-under damper handle)	1204847	Sleeve, Oval 1/32" (2-control cable)
1202527	Washer, Zinc Fender 1/4" .28 id x 1.25 od (2-right shell to trim, 2-left shell to trim)	1201985	Ring, Jump (Sm Plated) (1-primary air assembly)
1201839	Pin, Stainless Steel 3/16 x 1" (damper handle to damper rod anti-rotation)	1202058	#10 x 1/2" Black Phillips Pan Head Sheet Metal Screw (4-outside air cover to shell, 10-shell bottom to sides, 8-shell top to sides, 6-wiring access cover to shell back, 8-fan duct cover to fan duct, 2-junction box to bottom, 4-inner fan duct to shell sides, 2-access plate cover to shell sides)
1201846	Friction Spring (thermostat to cover plate)	1202466	Washer, External Star #8 Plain (4-right fan to duct cover, 4-left fan to duct cover)
1203029	Pin, Cotter .80 x 1 1/16" (1-damper rod retention)	1201243	8-32 x 2" Zinc Round Head Slotted Screw (4-right fan to duct cover, 4-left fan to duct cover)
1600561	Plug, Shaker Hole 3/8" Nickel (1-through hole in shell, 1-secondary air cover filler)	1203273	Nut, Zinc Hex 8-32 (4-right fan to duct cover, 4-left fan to duct cover)
1601488	Tab, Damper (1-damper link to damper, 2- damper to damper housing)	1204750	Strain Relief (2-fan cable)
1201376	1/4-20 x 1" Black Hex Head Cap Screw (2-legs to bottom, 2-shadow tray to bottom, 2-ashdoor hinge to front, 2-front door hinge)	1200991	10-24 x 3/4" Zinc Phillips Pan Head Screw (2-terminal strip to lower back shell)
1201744	Leveller Bolt, Hex Head 3/8-16 x 1 1/2" (2-shadow tray)	1208618	Clip, Wire (2-back/sides shell, 1-jct box cover plate)
1601393	Clip, Retainer Stainless Steel (1-rheostat handle retainer)	1200461	1/4-20 x 3/4" Socket Head Cap Screw (1-ashdoor lock plate, 1-front door pawl assy)
1601396	Clip, Glass Stainless Steel .5" x .75" (2-primary air valve to bottom)	1201481	5/16-18 x 1/2" Zinc Hex Head Cap Screw Gr 2 (1-top lift hole filler bolt)
1201986	Shim Ring, 18 Ga Nickel (1-secondary air flap to back)	1202479	Washer, Flat Plain 5/16" .375 id x .87 od (1-top lift hole filler bolt)
1201482	5/16-18 x 1 1/2" Stainless Steel Hex Head Cap Screw (2-wedges to fireback)	1200906	Rivet, Pop Zinc 1/8 x 1/8 (6-EPA label to front door)
1202471	Washer, Stainless Steel Flat 1/4 #304 .294 id x .63 od x .147 t (2-ashdoor hinge to front, 2-door hinge to front)	1201497	Bolt, Hook Zinc 1/4-20 x 2 5/8" (1-vent draw down kit)
1600535	Pin, Door 3/16 x 3/4" Nickel (2-ashdoor)	1203110	Nut, Wing 1/4-20 Plain (1-vent draw down kit)
		1204242	Stud, 1/4-20 x 6 3/4" Cross Thread (1-vent draw down kit)
		1203365	Push Nut (1-rheostat)
		1200417	1/4-20 x 1/4" Cup Point Socket Set Screw (1-front door pawl)



CFM Corporation reserves the right to make changes in design, materials, specifications, prices and discontinue colors and products at any time, without notice.

### Small WinterWarm Cabinet

Item Description	Part Number
1. Access Cover	1405817
2. Shell Backside	1405806
3. Outside Airport Cover	1408730
4. Duct	1405800
Duct Cover	1405799
5. Top Shell	1405805
6. Junction Box Cover Plate	1405802
7. Shell Bottom	1405804
Leveller Bolt	1201744
8. Fan	1601578
Rheostat Handle	1601577
Retainer Clips (1-Rheostat Handle)	1601393
Fan Cable Assembly	5003724
Power Cord	1601482
Terminal Strip	1204897
Fan/Shroud Assembly	5003728
Rheostat Cable Assembly	5003721
Shaker Hole Plug	1600561



CFM Corporation reserves the right to make changes in design, materials, specifications, prices and discontinue colors and products at any time, without notice.

### Small WinterWarm Cast Iron Surround Skirt

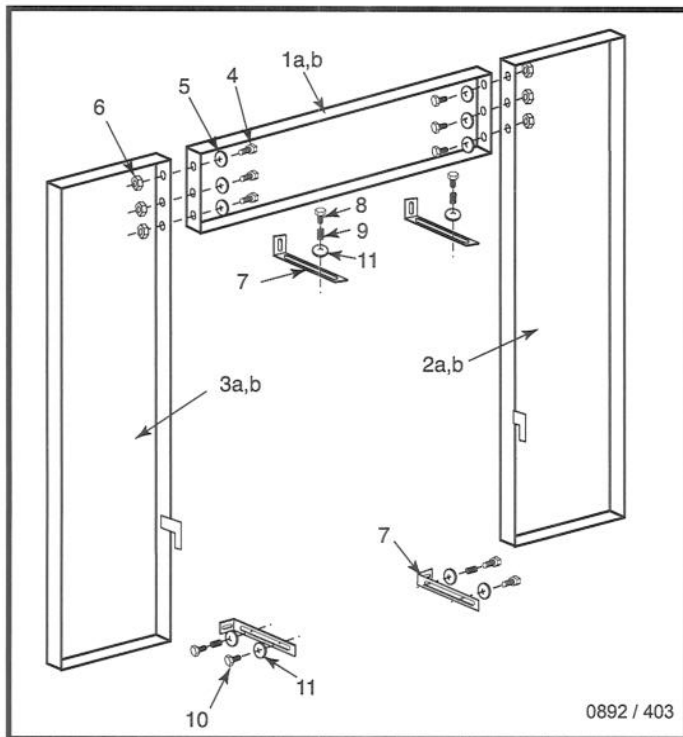
Item Description	Part Number
1a. Surround, Right 7"	1301362
1b. Surround, Right 10"	1301359
2a. Surround, Left 7"	1301361
2b. Surround, Left 10"	1301358
3a. Surround, Top 7"	1301364
3b. Surround, Top 10"	1301360
4. Bracket, Mounting	1405818*
5. CS, Hex Hd 1/4-20 x 3/8" GR5-Z	1201337*
6. CS, Hex Hd 1/4-20 x 3/4" GR5-Blk	1201374*
7. Spring, Friction	1201846*
8. CS, Hex Hd 1/4-20 x 1/2" GR5-Blk	1201338*
9. Wash, Pl 1/4-Pln 7/8 od	1202470*

\* Included with Hardware Kit # 30002493

*Rheostat*

## WinterWarm Small Insert

### Model 2080 (continued)



CFM Corporation reserves the right to make changes in design, materials, specifications, prices and discontinue colors and products at any time, without notice.

## Small WinterWarm Surround Steel Trim Kit

Item Description	Part Number
1a. Surround, Top 6"	1405792
1b. Surround, Top 10"	1405795
2a. Surround, Left 6"	1405790
2b. Surround, Left 10"	1405793
3a. Surround, Right 6"	1405791
3b. Surround, Right 10"	1405794
4. Pan Hd, PH 10-24 x 3/8" Z	1200983*
5. Wash, Ext. Toothlock #10 Pln	1202467*
6. Nut, Hex 10-24 Z	1203251*
7. Bracket, Surround Small Wood	1405796*
8. CS, Hex Hd 1/4-20 x 3/4" Gr5	1201374*
9. Spring, Friction	1201846*
10. CS, Hex Hd 1/4-20 x 1/2" Gr 5	1201338*
11. Wash, Fl 1/4-Pln 1/8 od	1202470*

\* Included with Hardware Kit # 30002492