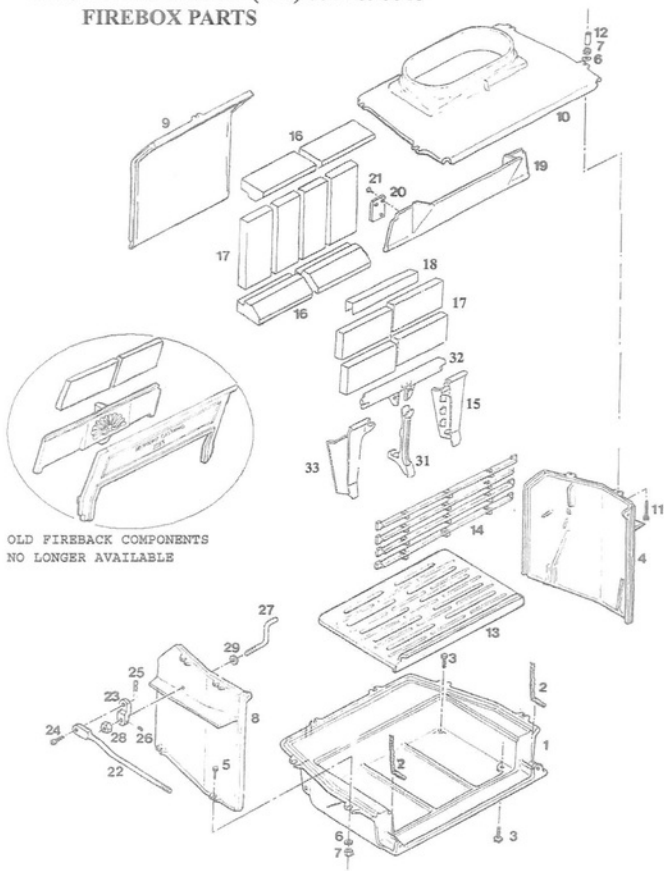
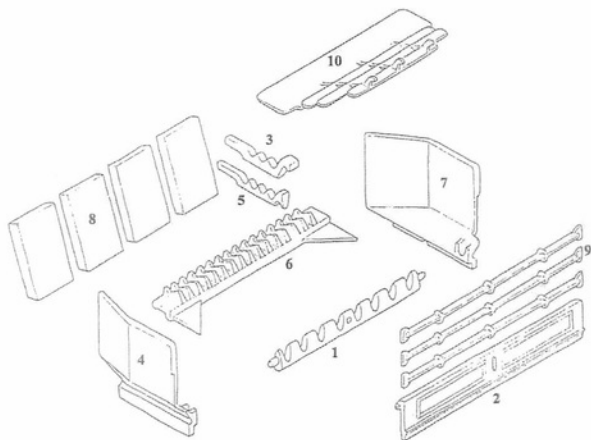


FIREPLACE INSERT (FPI) 0044 & 0046 FIREBOX PARTS



FIREPLACE INSERT (FPI) MODEL 1272 COAL FIREBOX PARTS



FIREPLACE INSERT INTERIOR PARTS

MODEL #S: 0044, 0046, 1271 & 1272

FEATURES: 0044 WOOD INSERT WITH NO BRASS TRIM
0046 WOOD INSERT WITH BRASS TRIM
1271 COAL INSERT WITH NO BRASS TRIM
1272 COAL INSERT WITH BRASS TRIM
MANUFACTURED FROM 7/83 THROUGH 1/88

WOOD INTERIOR FIREBOX PARTS

* denotes dead item

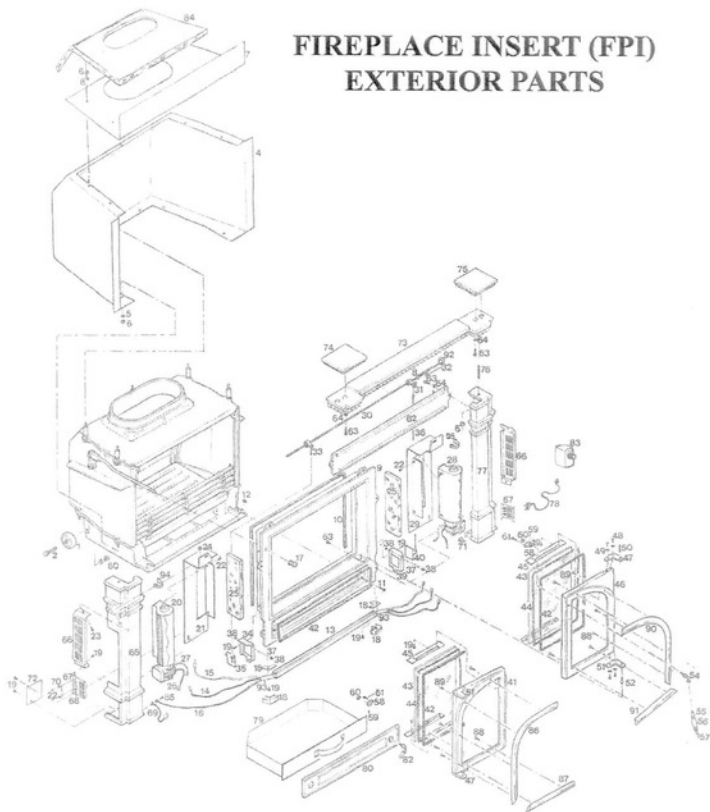
ITEM #	PART #	DESCRIPTION
1	130-7012*	Bottom
2	120-3560	1/2" Fiberglass Gasket (1" used)
3	120-1744	3/4-16 x 1 1/2" Levelling Bolts
4	130-7115*	Right End
5	120-1386	1/4-20 x 1/2" Hex Head Cap Screw
6	120-2474	Washer, Zinc 1/2" Flat
7	120-3210	1/4-20 Hex Nut
8	130-7102*	Left End
9	130-7074*	Back
10	130-7026*	Top
11	120-1404	1/4-20 x 2 3/4" Full Thread Hex Head CS
12	120-1786*	Spacers 1/2" x 1/2" H
13	130-7212	Wood Grate
14	130-7048	Front Grate Bar (4 used)
15	130-7061	Right Brick Support
16	160-1133*	Special Firebrick
17	160-1103	Firebrick Split (9 x 4 1/2" firebrick slim)
18	160-4220	Brick Retaining Lip
19	130-4228*	Damper
20	160-2302*	Damper Plate
21	120-0985	10-24 x 1/2" Phillips Trs Head Screw
22	160-0703*	Damper Rod
	500-2679*	Damper Rod Complete
23	130-7277*	Damper Connector
24	120-3002	1/4 x 1" Clevis Pin
25	120-3031	Cotter Pin #13 Hair Pin
26	120-0417	1/4-20 x 1/2" Knl Cup Socket Set Screw
27	160-0711*	Damper Linkage Shaft
28	120-3288*	3/4-16 Hex Jam Nut (Sub 120-3290)
29	120-2580	Washer 1/2"
31	130-7062	Support Leg
32	130-7063	Spanner Bar
33	130-7060	Left Brick Support

COAL INTERIOR FIREBOX PARTS

* denotes dead item

ITEM #	PART #	DESCRIPTION
1	130-7335*	Corn Bar
2	130-7340*	Face Plate
3	130-7347	Hi-Grate Bar
4	130-7318*	Left Side
5	130-7354	Low-Grate Bar
6	130-7311*	Rear Support
7	130-7323*	Right Side
8	160-1103	Firebrick Split (9 x 4 1/2" firebrick slim)
9	130-7048	Front Grate Bar
10	130-7362*	Baffle
	160-0749*	Shaker Rod Assembly

FIREPLACE INSERT (FPI) EXTERIOR PARTS



FIREPLACE INSERT

MODEL #S: 0044, 0046, 1271 & 1272

FEATURES: 0044 WOOD INSERT WITH NO BRASS TRIM / 0046 WOOD INSERT WITH BRASS TRIM
 1271 COAL INSERT WITH NO BRASS TRIM / 1272 COAL INSERT WITH BRASS TRIM
 MANUFACTURED FROM 7/83 THROUGH 1/88

PORCELAIN ENAMELED PARTS ARE NO LONGER AVAILABLE FOR THE FIREPLACE INSERT

* denotes dead item

ITEM #	PART #	DESCRIPTION
1	120-3322*	3" Cast Roller
2	120-1463*	5/8 -16 x 2 1/2" Hex Head Cap Screw
4	160-4402*	Body
5	120-2527	1/4 Fender Washer
6	120-3210	1/4 -20 Hex Nut
7	160-4415*	Enclosure Top
8	120-2474	1/4 Flat Washer
9	130-7093*	Front
10	120-3588	5/16" Medium Density Fiberglass
11	120-0811	1/4 -20 x 1 1/2" Phillips Flat Head
12	120-3305	1/4 -20 Keps Nut
13	120-4922*	Wireway
14-16	500-2692*	Complete Wire Harness
17	160-0880	Damper Pull
18	120-4934	Wireway Elbow
19	120-0980	10-24 x 1/4" Phillips Pan Head Screw
20	160-4107	Left Blower
	500-2628*	Blower Bushing Assembly
21	160-4210*	Left Blower Enclosure
22	120-0989	#8 x 1/2" Phillips Pan Head SMS
23	120-1007	10-24 x 3/4" Phillips Trs Head Screw
24	120-3251	10-24 Hex Nut
25	120-3514*	Blower Bracket Insulation
26	500-2569*	Lead Assembly Black
27	500-2574*	Lead Assembly White
28	160-4114	Right Blower
	500-2628*	Blower Bushing Assembly
29	160-4217*	Right Blower Enclosure
30	500-2645*	Thermostat Rod Assembly
	120-4791*	Thermostat Knob
31	160-1408	Thermostat Clip
32	120-1850	Thermostat Spring
33	120-1960	Thermostat Ball Chain (1.5" needed)
34 & 35	500-2626*	Left Air Shutter Assembly
36	120-4867	Thermostat Cable (2' needed)
37	160-1583*	Pin
38	120-3053*	Push On Retainers
39 & 40	500-2622*	Right Air Shutter Assembly
41	130-7175*	Left Door
	130-7176*	Brass Left Door
42	120-3688	5/16" Armaseal Door Seal
43	140-1160	Glass (9 1/2" x 14")
44	120-3556	3/16" 4ND Black Fiberglass Gasket
45	160-4313	Glass Retainer
46	130-7177*	Right Door
	130-7178*	Brass Right Door
47	160-4272*	Hinge Door Top Right & Bottom Left

* denotes dead item

ITEM #	PART #	DESCRIPTION
48	120-0939*	10-24 x 3/4 Ph Flat Head
49	120-2468	#10 External Tooth Lock Washer
50	160-0401	Door Pin Upper 3/16 x 1"
51	160-4276*	Hinge Door Top Left & Bottom Right
52	160-0415	Door Pin Lower
53	120-2423	#10 Flat Washer
54	500-4273	Handle Stub Gold
55	140-2484	Wireform Only
56	160-0682	Wood Handle Only
57	160-0651	Gold Nub Only
55-57	000-4349	Wireform Fallaway Handle Complete Gold
58	500-4024	Pawl Assembly (59, 60, 61)
59	120-0417	1/4 -20 x 1/4" Socket Head Set Screw
60	120-3290	3/8-16 Jam Nut
61	120-0436	1/4 -20 x 1" Socket Head Set Screw
62	130-7157*	Upper Front
63	120-0896	1/4 -20 x 3/4" Phillips Round Head Screw
64	120-2481	1/4 External Tooth Lock Washer
65	130-7133*	Left Column
66	160-4163*	Blower Inlet Screen
67	160-4182*	Air Inlet Screen
68	120-4970*	Power Receptacle
69	500-2581*	Lead Assembly Green
70	120-4976*	Power Receptacle Cover
71	120-3038*	Press Clip
72	160-4031*	Junction Box Cover Plate
73	130-7204*	Center Mantel
74	130-7243*	Left Mantel
75	130-7256*	Right Mantel
76	160-1653	1/4 -20 x 3" Tie Threaded Rod
77	130-7146*	Right Column
78	120-4816	Electrical Cord
79	140-0975*	Ash Pan
80	130-7035*	Ash Door Cover
82	160-0663	Ash Door Handle Wood Only (shaft n/a)
83	000-4920*	Rheostat for Fan (available on the open market)
84	120-3503*	Top Insulation
85	120-0980	10-24 x 1/4" Phillips Pan Head
86	140-2490*	Left Top Brass Trim
87	140-2493*	Left Bottom Brass Trim
88	120-1058	8-32 x 1/2" Phillips Round Head Screw
89	120-1050*	8-32 x 1/2" Phillips Round Head Screw
90	140-2496*	Right Top Brass Trim
91	140-2499*	Right Bottom Brass Trim
92	120-4791*	Control Knob
93	120-4877*	Wire Sleeves
94	160-4101*	Left Blower Heat Shield
95	160-4103*	Right Blower Heat Shield

GASKETS

120-3668	5/16" Armaseal	3'	Left Door Seal
		4,4'	Right Door Seal
		4,25'	Ash Door
120-3560	1/4" Fiberglass Gasket	1'	Air Inlet Seal
120-3588	5/16" Medium Density Fiberglass	4,5'	Front Frame
120-3556	3/16" 4ND Black Fiberglass Gasket	4'	Left Glass Panel
		4'	Right Glass Panel

000-3427 Glass Gasket Kit contains enough gasket and cement to gasket glass with rope gasket

REPAIR KITS

000-5873* **BLOWER KIT**

000-5871 **FIREBACK & BRICK KIT**

Kit updates older precast single fireback and single brick system to the redesigned 4 brick system.
Contains: Left Brick Support, Right Brick Support, Support Leg, Spanner Bar, Brick Retaining Clip,
Split Firebricks.